



Item no: 0206541

Suction cup DCF90P Polyurethane 60, G3/8" male, 1/8" NPSF female, with mesh filter

- Special designed friction cups for domed or flat oily surfaces, such as sheets in metal forming processes.
- Long lasting material, normal wear on friction cup will not affect the long term shear force performance.
- Best choice if $> 0.1\text{g}/\text{m}^2$ press oil is used on the sheet but also a great choice for dry metal sheets.
- Refined internal friction pattern provides additional grip performance, the suction cups can withstand high shear forces, typically 3–5 times more than corresponding conventional suction cups.
- Thin design that easily will follow convex or concave surfaces. The thin and pliable design in combination with a special inner friction pattern will maximize grip performance.
- DURAFLEX® suction cups manufactured in a specially developed material that features the elasticity of rubber and wear resistance of polyurethane. The material does not leave any marks on the objects handled and has a fantastic elastic memory, even after hundreds of thousands of cycles.

General

Application	Oily sheet metal
Suction cup shape	Deep Concave
Material	Polyurethane (PU60)
Suction cup model	DCF
Weight	69.2 g
Volume	57.5 cm ³
Suction cup model	DCF90P Oily metal sheet
Specification	Oily metal sheet
Movement, vertical max.	13.5 mm
Curve radius, min.	130 mm
Suction cup model	DCF90P Dry metal sheet
Specification	Dry metal sheet

Fitting

Fitting option	Filter mesh
Fitting size	18, 38
Fitting style	Female/Male
Fitting type	G, NS

Dimension

Height	42 mm
Outer diameter, actuated	98.4 mm
Outer diameter	92.5 mm

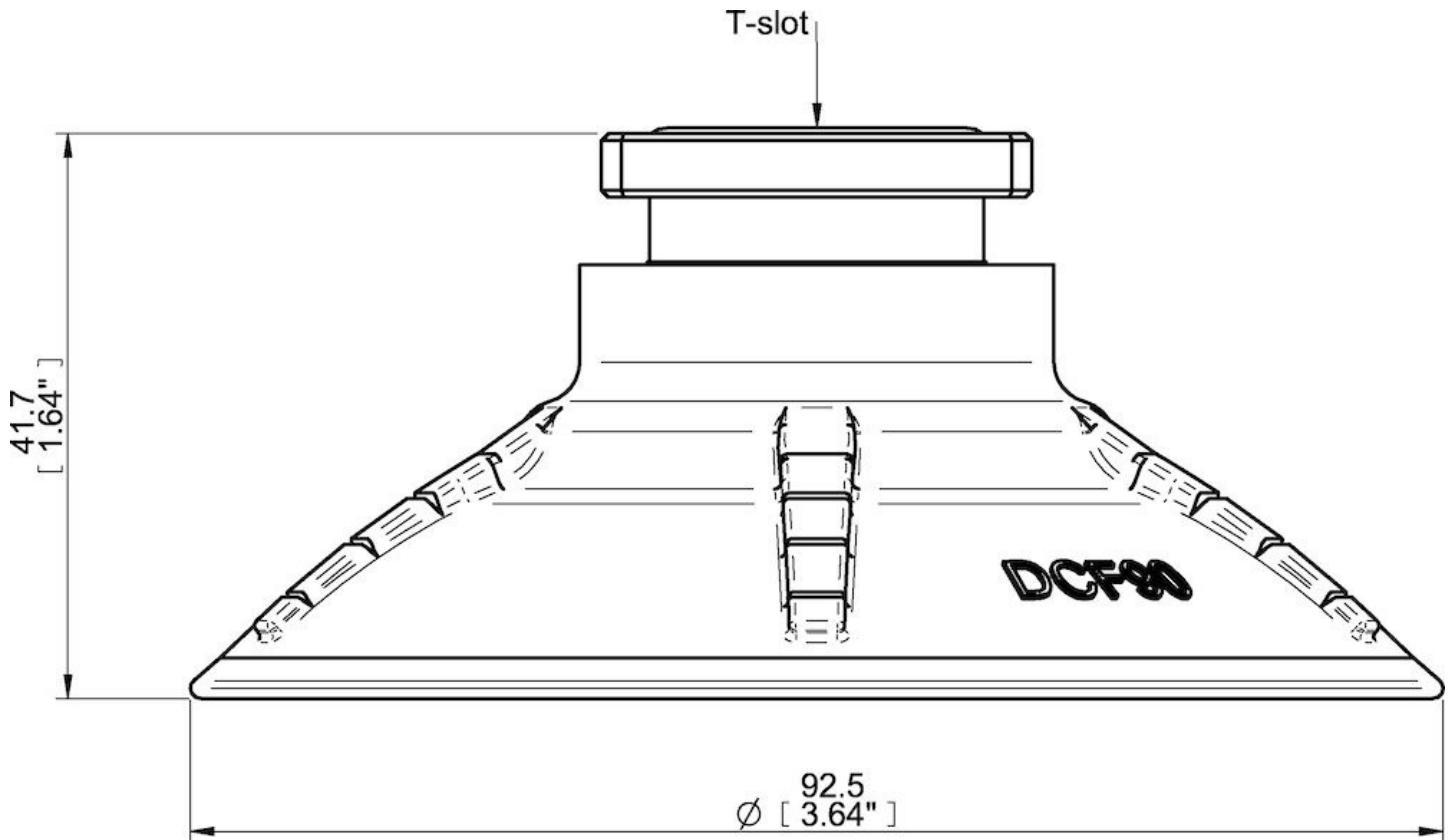
Performance - lifting forces

DCF90P Oily metal sheet	↑	↗
60 -kPa	222 N	183 N
90 -kPa	310 N	248 N
DCF90P Dry metal sheet	↑	↗
60 -kPa	255 N	256 N
90 -kPa	311 N	358 N

Material

Name	PU60
Colour	Orange
Temperature	10 - 50 °C
Hardness	60 °Shore A

	PU60
Alcohol	n/a
Concentrated acids	+
Ethanol	+
Hydrolysis	+
Methanol	-
Oil	+++
Oxidation	-
Petrol	+
Wear resistance	+++
Weather and ozone	+++



Values specified in the data sheet are tested at:

- Room temperature: (20° C [68° F] ± 3° C [5.5° F])
- Standard atmosphere: (101.3 [29.9 inHg] ± 1.0 kPa [0.3 inHg])
- Relative humidity: 0-100%
- Compressed air quality: DIN ISO 8573-1 class 4