



Item no: 0206202

Suction cup F-BX10 Silicone detectable, FCM

- The silicone material complies with FDA 21 CFR 177.2600 and EU 1935/2004.
- Long lasting high-end silicone material
- A low percentage metal additive (Fe) is mixed with the rubber material to make it detectable.
- Suitable for frozen and raw food.
- Excellent grip on food with irregular surfaces and different heights, even at fast speeds and accelerations
- Available with male threaded food grade, detectable plastic fittings or acid proof stainless steel fittings.
- Easy to clean with hygienic design. No dust/dirt pockets.
- Low vacuum level needed to collapse bellows. Reduces risk for damaging the handled food product

General

Application	Food contact materials (FDA & EU), detectable
Suction cup shape	Multibellows
Material	Silicone (SIL detectable FCM)
Suction cup model	F-BX
Weight	0.6 g
Volume	0.33 cm ³
Suction cup model	F-BX10
Movement, vertical max.	6.8 mm
Curve radius, min.	3.6 mm



Fitting

Fitting option	None
Fitting size	None
Fitting style	None
Fitting type	None

Dimension

Height	19 mm
Outer diameter, actuated	10.5 mm
Outer diameter	10.5 mm

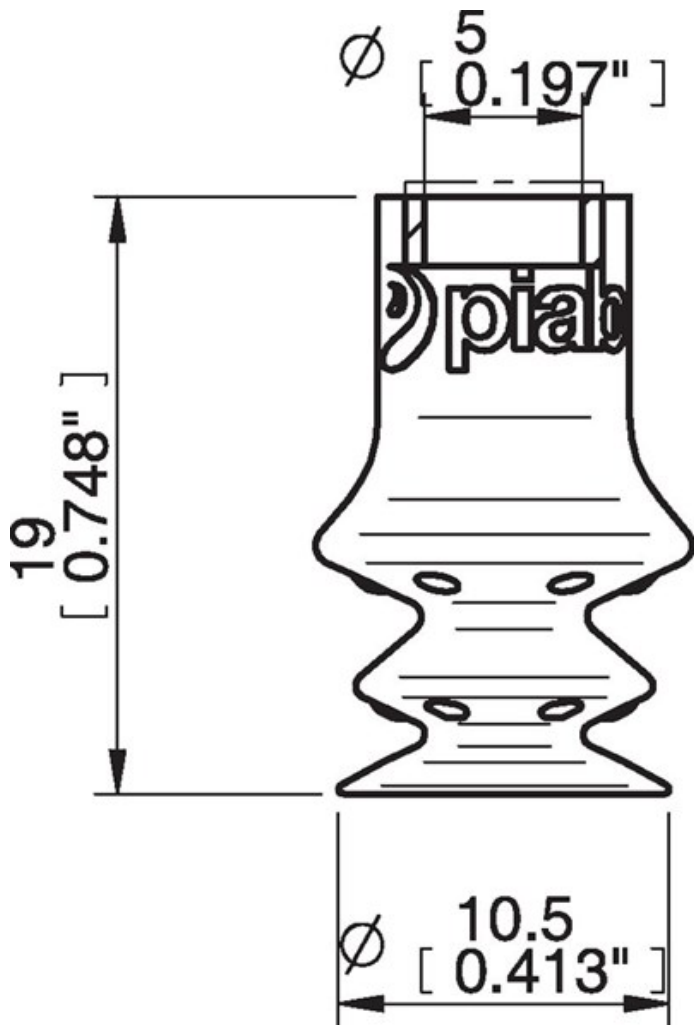
Performance - lifting forces

	F-BX10		
10 -kPa		0.5 N	1.2 N
20 -kPa		0.9 N	1.3 N
40 -kPa		1.5 N	1.4 N

Material

Name	SILDETFCM
Colour	Blue
Temperature	-40 - 200 °C
Hardness	40 °Shore A

	SILDETFCM
Alcohol	++
Concentrated acids	-
Ethanol	n/a
Hydrolysis	+
Methanol	n/a
Oil	-
Oxidation	+++
Petrol	-
Wear resistance	++
Weather and ozone	+++



Accessories

- 0207133 | Fitting G1/8" Male, SS, F-BX10
- 0207134 | Fitting 1/8"NPT Male, SS, F-BX10
- 0207135 | Fitting M5 Male, SS; F-BX10
- 0207136 | Fitting G1/8" Male, composite, F-BX10
- 0207137 | Fitting 1/8"NPT Male, composite, F-BX10
- 0207138 | Fitting M5 Male, composite, F-BX10