



Item no: 0207080

Suction cup F-BX35 Silicone G3/8" male SS, detectable, FCM

- The silicone material complies with FDA 21 CFR 177.2600 and EU 1935/2004.
- Long lasting high-end silicone material
- A low percentage metal additive (Fe) is mixed with the rubber material to make it detectable.
- Suitable for frozen and raw food.
- Excellent grip on food with irregular surfaces and different heights, even at fast speeds and accelerations
- Available with male threaded food grade, detectable plastic fittings or acid proof stainless steel fittings.
- Easy to clean with hygienic design. No dust/dirt pockets.
- Low vacuum level needed to collapse bellows. Reduces risk for damaging the handled food product

General

Application	Food contact materials (FDA & EU), detectable
Suction cup shape	Multibellows
Material	SILDETFCM, ASTM316L
Suction cup model	F-BX
Weight	34.4 g
Volume	13.6 cm ³
Suction cup model	F-BX35
Movement, vertical max.	20.2 mm
Curve radius, min.	13.3 mm



Fitting

Fitting option	None
Fitting size	3/8"
Fitting style	Male
Fitting type	G-thread

Dimension

Height	55 mm
Outer diameter, actuated	36 mm
Outer diameter	36 mm

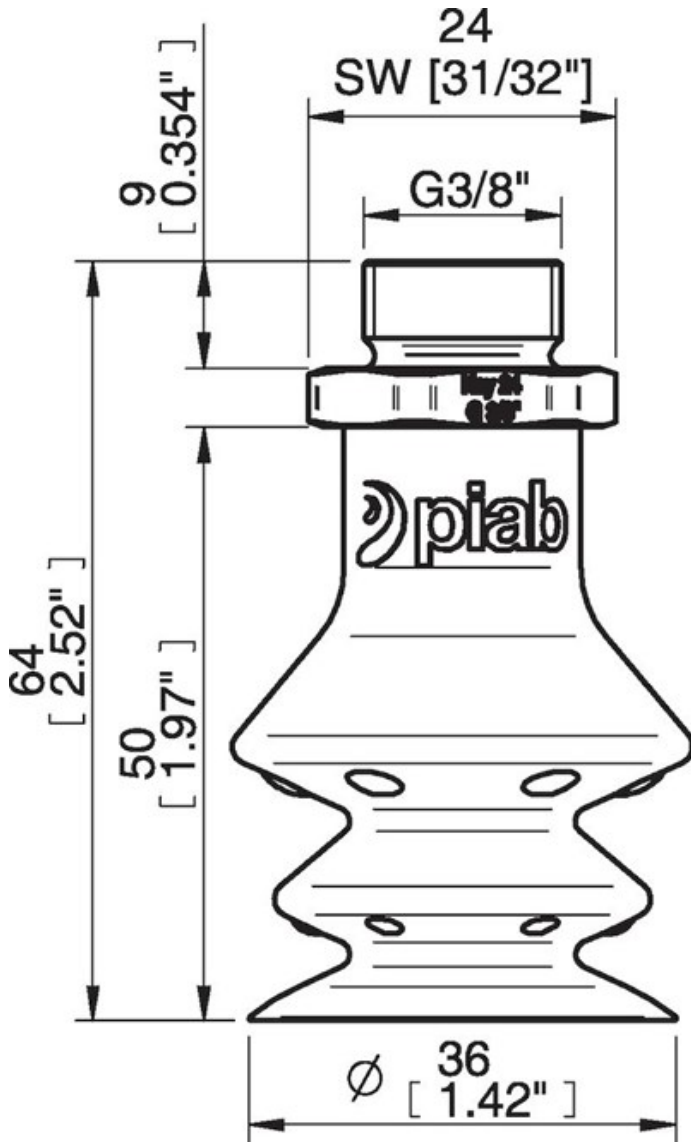
Performance - lifting forces

	F-BX35		
10 -kPa		7.6 N	7.5 N
20 -kPa		12.9 N	9.1 N
40 -kPa		14.2 N	10.3 N

Material

Name	SILDETFCM
Colour	Blue
Temperature	-40 - 200 °C
Hardness	40 °Shore A

	SILDETFCM
Alcohol	++
Concentrated acids	-
Ethanol	n/a
Hydrolysis	+
Methanol	n/a
Oil	-
Oxidation	+++
Petrol	-
Wear resistance	++
Weather and ozone	+++



Accessories

- 0207147 | Fitting G1/4" Male, SS, F-BX25-35 P-D36
- 0207148 | Fitting 1/4"NPT Male, SS, F-BX25-35 P-D36
- 0207149 | Fitting G3/8" Male, SS, F-BX25-35 P-D36
- 0207150 | Fitting 3/8"NPT Male, SS, F-BX25-35 P-D36
- 0207151 | Fitting G1/4" Male, composite, F-BX25-35 P-D36
- 0207152 | Fitting 1/4"NPT Male, composite, F-BX25-35 P-D36
- 0207153 | Fitting G3/8" Male, composite, F-BX25-35 P-D36
- 0207154 | Fitting 3/8"NPT Male, composite, F-BX25-35 P-D36