



Item no: 0207021

Suction cup P-D27 Silicone G1/4" male SS, detectable, FCM

- The silicone material complies with FDA 21 CFR 177.2600 and EU 1935/2004.
- Long lasting high-end silicone material
- A low percentage metal additive (Fe) is mixed with the rubber material to make it detectable.
- Suitable for pralines, such as chocolates
- Available with male threaded food grade, detectable plastic fittings or acid proof stainless steel fittings.
- Easy to clean with hygienic design. No dust/dirt pockets.

General

Application	Food contact materials (FDA & EU), detectable
Suction cup shape	Deep
Material	SILDETFCM, ASTM316L
Suction cup model	P-D
Weight	20.2 g
Volume	6.2 cm ³
Suction cup model	P-D27 Dry metal sheet
Curve radius, min.	28 mm



Fitting

Fitting option	None
Fitting size	1/4"
Fitting style	Male
Fitting type	G-thread

Dimension

Height	36.5 mm
Outer diameter	26.9 mm

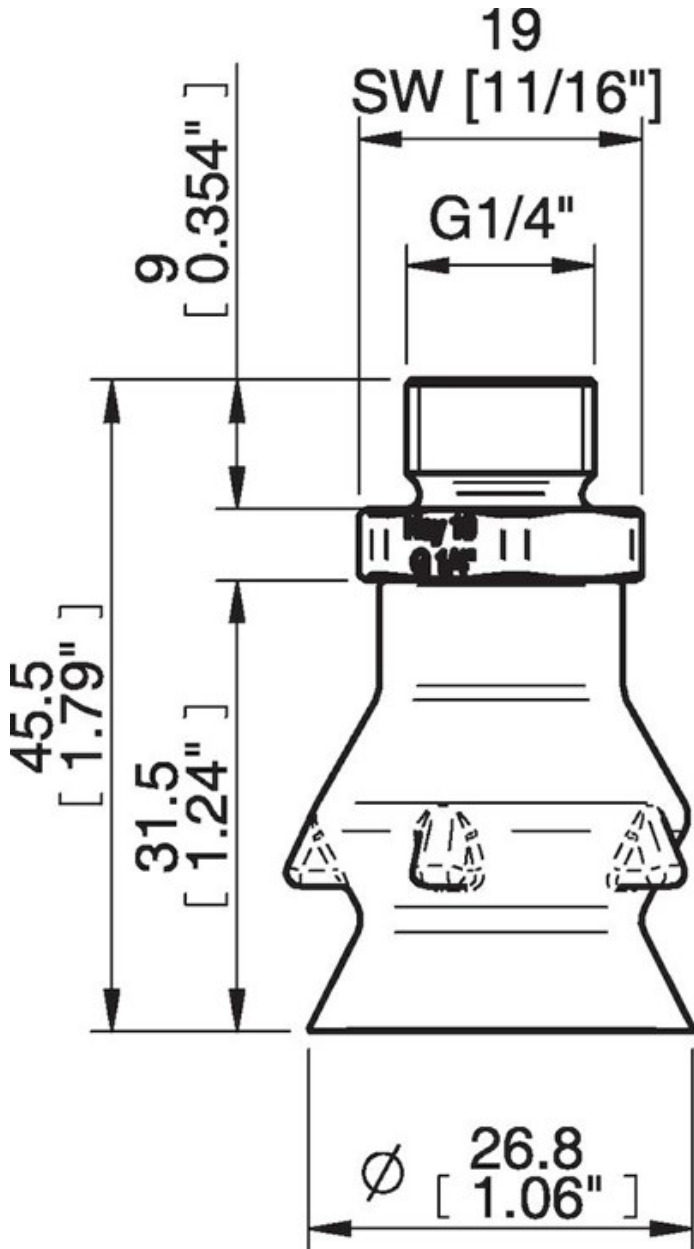
Performance - lifting forces

P-D27 Dry metal sheet		
10 -kPa	3.2 N	7.6 N
20 -kPa	5.5 N	13.5 N
40 -kPa	8.1 N	21.4 N

Material

Name	SILDETFCM
Colour	Blue
Temperature	-40 - 200 °C
Hardness	40 °Shore A

	SILDETFCM
Alcohol	++
Concentrated acids	-
Ethanol	n/a
Hydrolysis	+
Methanol	n/a
Oil	-
Oxidation	+++
Petrol	-
Wear resistance	++
Weather and ozone	+++



Accessories

0207146 | Fitting 1/4"NPT Male, composite, F-BX15-20 P-D27

0207145 | Fitting G1/4" Male, composite, F-BX15-20 P-D27

0207144 | Fitting 1/8"NPT Male, composite, F-BX15-20 P-D27

0207143 | Fitting G1/8" Male, composite, F-BX15-20 P-D27

0207142 | Fitting 1/4"NPT Male, SS, F-BX15-20 P-D27

0207140 | Fitting 1/8"NPT Male, SS, F-BX15-20 P-D27

0207139 | Fitting G1/8" Male, SS, F-BX15-20 P-D27

Spare parts

0206371 | Suction cup P-D27 Silicone detectable, FCM

0207141 | Fitting G1/4" Male, SS, F-BX15-20 P-D27