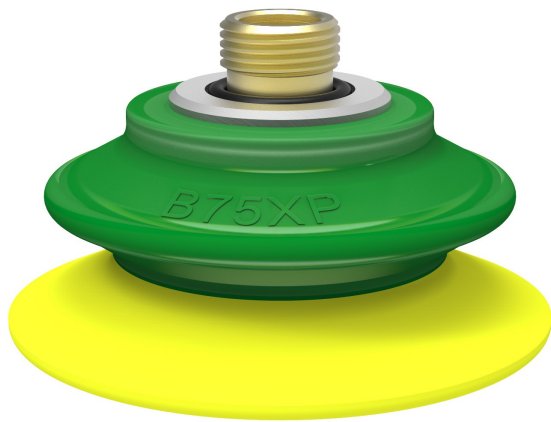


Suction cup B75XP Polyurethane 30/60 ,thread insert G3/8" male, 0205162



- Suitable for limited level adjustment with good stability.
- Excellent gripping performance on corrugated and porous or surface leaking objects such as cardboard, textured plastic parts and composite material (raw surface).
- In the two-coloured suction cup the bellows and the sealing lip are of different hardnesses, which makes the suction cup strong and stable for accelerations and speed, at the same time, soft and flexible.
- DURAFLEX® suction cups manufactured in a specially developed material that features the elasticity of rubber and wear resistance of polyurethane.
- The material DURAFLEX® is mark free.

General

Curve radius	50 mm
Movement, vertical max.	16 mm
Application	Plastic injection molded parts, Corrugated / cardboard
Material	Polyurethane (PU30), Polyurethane (PU60)
Suction cup model	B-XP
Suction cup shape	Bellows
Volume	42.8 cm ³
Weight	43.5 g

Fitting

Fitting size	3/8"
Fitting style	Male
Fitting type	G-thread
Fitting option	None

Dimension

Height	44.3 mm
Outer diameter	77.5 mm

Performance — lifting forces

		
20 -kPa	75 N	60 N
60 -kPa	176 N	150 N
90 -kPa	228 N	180 N

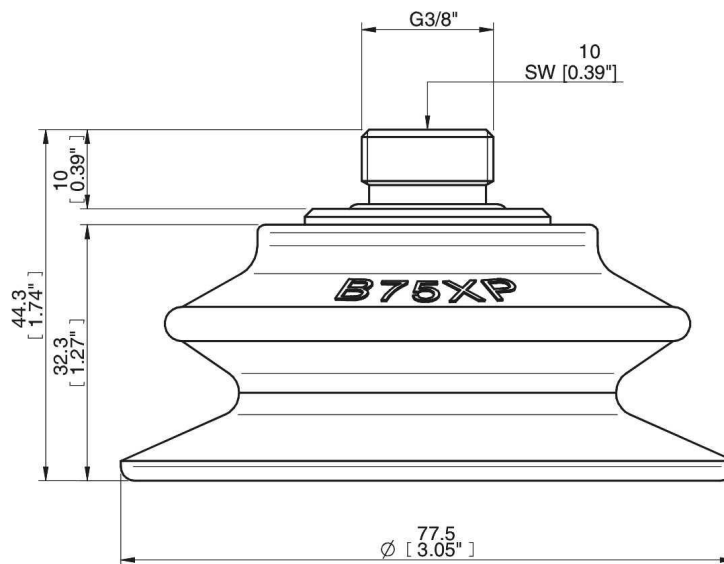
Material

	Polyurethane (PU60)	Polyurethane (PU30)
Colour	Green transparent	Yellow
Hardness	60 °Shore A	30 °Shore A
Temperature	10 – 50 °C	10 – 50 °C

Material resistance

	Polyurethane (PU60)	Polyurethane (PU30)
Alcohol	N/A	N/A
Concentrated acids	+	+
Ethanol	+	+
Hydrolysis	+	+
Methanol	-	-
Oil	+++	+++
Oxidation	-	-
Petrol	+	+
Wear resistance	+++	+++
Weather and ozone	+++	+++

Dimensional drawings



Values specified in the data sheet are tested at:

Room temperature	(20°C [68°F] ± 3°C [5.5°F])
Standard atmosphere	(101.3 [29.9 inHg] ± 1.0 kPa [0.3 inHg])
Relative humidity	0-100%
Compressed air quality	DIN ISO 8573-1 class 4

Spare parts

	Item no.
Suction cup B75XP Polyurethane 30/60, for thread insert	0205157
Thread insert G3/8" male, with O-ring	0106797

Accessories

	Item no.
Thread insert G1/8" male, with O-ring and mesh filter	0200716
Thread insert G1/4" male, with O-ring and mesh filter	0201077
Fitting G3/8" Male - 1/8" NPSF Female	0104857