



Item no: 0102871

## Vacuum pump MINI M10L, conn. A, NBR sealings

COAX® is an advanced solution for creating vacuum with compressed air. Based on Piab's multistage technology, COAX® cartridges are smaller, more efficient and more reliable than conventional ejectors, that allows for the design of a flexible, modular and efficient vacuum system. The two-stage COAX®... cartridge MICRO is probably the world's smallest multistage vacuum ejector. Its low weight makes it suitable to integrate close to the suction point in high speed pick-and-place applications of small objects. The two-stage COAX® cartridge MINI has small mounting dimensions and the three-stage COAX® cartridge MINI has high initial vacuum flow. The two-stage COAX® cartridge MIDI has small mounting dimensions and the three-stage COAX® cartridge MIDI has high initial vacuum flow. The MIDI cartridges are efficient generators of blow-air and are also suitable for fast evacuation of large volumes.

- Medium vacuum levels to 84 -kPa
- Small size and low weight
- Operates at only 0.38 MPa
- Use o-ring 19.1x1.6mm for mounting pump

General


|             |                  |
|-------------|------------------|
| Material    | PA, POM, SS, NBR |
| Noise level | 57 - 68 dBA      |
| Temperature | -20 - 80 °C      |
| Weight      | 30 g             |

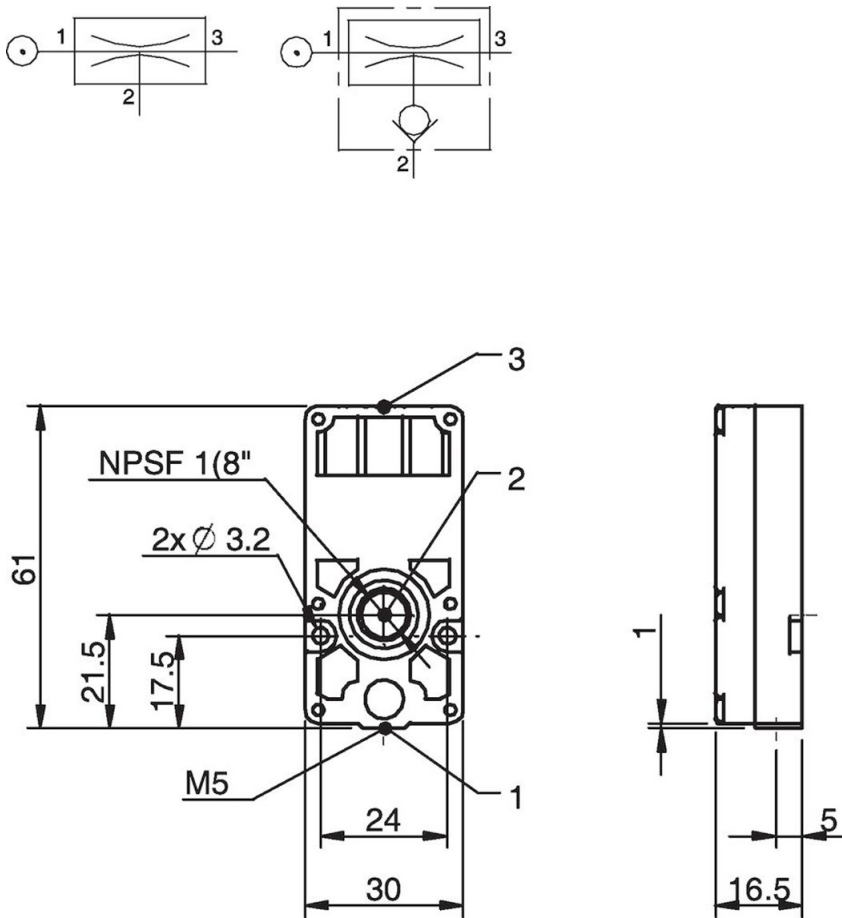
Performance

Feed pressure, max. 0.7 MPa

| Feed pressure<br>MPa | Air consumption<br>NI/s | Vacuum flow (NI/s) at different vacuum levels (-kPa) |      |      |      |      |      |      |      |      |    | Max vacuum<br>-kPa |
|----------------------|-------------------------|--|------|------|------|------|------|------|------|------|----|--------------------|
|                      |                         | 0  | 10   | 20   | 30   | 40   | 50   | 60   | 70   | 80   | 80 |                    |
| M10L 0,38 - 0,38     | 0.76                    | 1.1  | 0.57 | 0.39 | 0.35 | 0.3  | 0.21 | 0.12 | 0.06 | 0.02 | 81 |                    |
| M10L 0,60 - 0,6      | 1.1                     | 1.3  | 0.91 | 0.48 | 0.29 | 0.26 | 0.21 | 0.13 | 0.09 | 0.03 | 84 |                    |

| Feed pressure<br>MPa | Air consumption<br>NI/s | Evacuation time (s/l) to reach different vacuum levels (-kPa) |      |      |      |     |     |     |     |    |    | Max vacuum<br>-kPa |
|----------------------|-------------------------|---|------|------|------|-----|-----|-----|-----|----|----|--------------------|
|                      |                         | 10  | 20   | 30   | 40   | 50  | 60  | 70  | 80  | 90 | 80 |                    |
| M10L 0,38 - 0,38     | 0.76                    | 0.13  | 0.31 | 0.57 | 0.9  | 1.3 | 2   | 3.2 | 7.1 | 0  | 81 |                    |
| M10L 0,60 - 0,6      | 1.1                     | 0.079   | 0.2  | 0.5  | 0.92 | 1.4 | 2.1 | 3   | 5   | 0  | 84 |                    |

Dimensional drawings 



Spare parts

3201097 | Sealing kit MINI 5-28, NBR

3201097E | Sealing kit MINI 5-28, EPDM

3201097V | Sealing kit MINI 5-28, Viton®