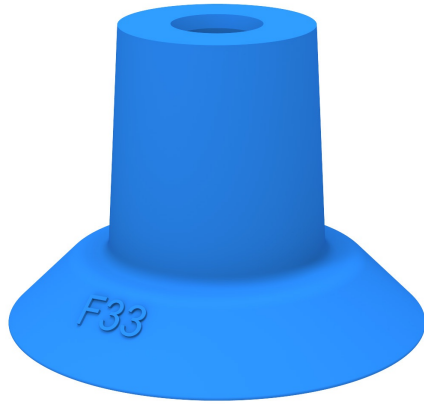


Suction cup F33 Silicone FCM, 0200328



- Designed for opening bags in bag filling stations.
- Also suitable to handle thin and sensitive sheets, such as paper and plastic films.
- The thin, conformable lip and clever cleat pattern prevent sensitive object/sheet to get sucked in and damaged while giving enhanced lifting force.
- FDA 21 CFR 177.2600 & EU 1935/2004 approved silicone material.

General

Curve radius	35 mm
Movement, vertical max.	1.5 mm
Application	Bag opening/thin paper - slip sheets/film, Food contact materials (FDA & EU), non-detectable
Material	Silicone (SIL FDA)
Suction cup model	F
Suction cup shape	Flat
Volume	2.1 cm ³
Weight	5.4 g

Fitting

Fitting size	None
Fitting style	None
Fitting type	None
Fitting option	None

Dimension

Height	23.5 mm
Outer diameter	33 mm
Outer diameter, actuated	33.8 mm

Performance — lifting forces

		
20 -kPa	16 N	13.5 N
60 -kPa	38 N	32.5 N
90 -kPa	49 N	41.5 N

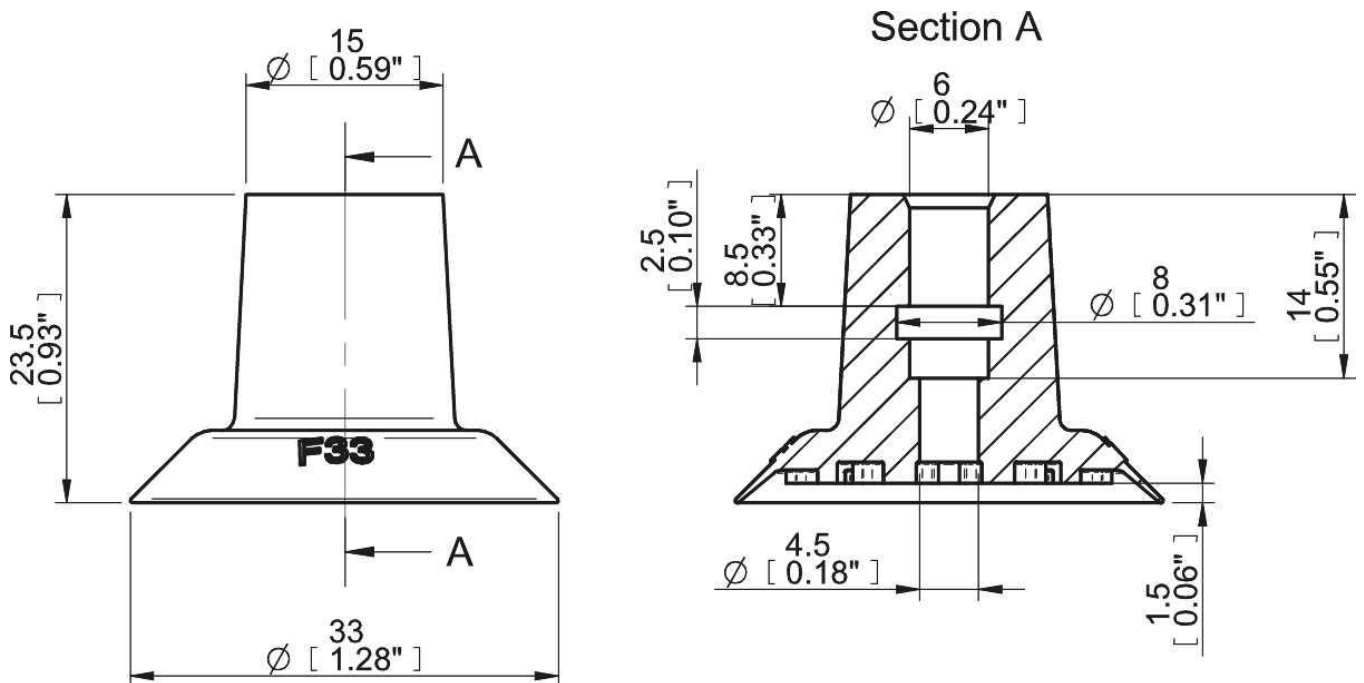
Material

	Silicone (SIL FDA)
Colour	Transparent
Hardness	50 °Shore A
Temperature	-40 – 200 °C

Material resistance

	Silicone (SIL FDA)
Alcohol	++
Concentrated acids	-
Ethanol	N/A
Hydrolysis	+
Methanol	N/A
Oil	-
Oxidation	+++
Petrol	-
Wear resistance	++
Weather and ozone	+++

Dimensional drawings



Values specified in the data sheet are tested at:

Room temperature	(20°C [68°F] ± 3°C [5.5°F])
Standard atmosphere	(101.3 [29.9 inHg] ± 1.0 kPa [0.3 inHg])
Relative humidity	0-100%
Compressed air quality	DIN ISO 8573-1 class 4

Accessories

	Item no.
Fitting G1/4" male	0201967
Fitting 1/8" NPSF female	0201969