

XLF300 Extra Large Flat cup, G1/2" female, 0127134



- Suitable for handling large and heavy sheets, such as glass and metal, with a flat or slightly concave surface.
- Friction pattern increases safety and capability to handle tilted or standing glass/metal sheets.
- Double lip design increases safety against over-load or tear on the outer lip.
- Durable and abrasive resistant material reduces the risk for marks.
- Flat mounting plate facilitates customized mounting interfaces.
- Auxiliary port, suitable for vacuum sensing or efficient blow-off/release.

General

| | |
|-------------------------|--|
| Specification | Outer lip |
| Curve radius | 1900 mm |
| Movement, vertical max. | 8 mm |
| Application | Glass handling, Mark Free, Dry sheet metal |
| Material | Nitrile-PVC (NPV) |
| Suction cup model | XLF |
| Suction cup shape | Flat |
| Volume | 666 cm ³ |
| Weight | 2.04 kg |

Fitting

| | |
|----------------|----------|
| Fitting size | 1/2" |
| Fitting style | Female |
| Fitting type | G-thread |
| Fitting option | None |

Dimension

| | |
|--------------------------|----------|
| Height | 27 mm |
| Outer diameter | 304 mm |
| Outer diameter, actuated | 309.3 mm |

Performance — lifting forces, Outer lip

| |  |  |
|---------|---|---|
| 20 -kPa | 2620 N | 1828 N |
| 60 -kPa | 3760 N | 2720 N |
| 90 -kPa | 5450 N | 3936 N |

Performance — lifting forces, Inner lip

| |  |  |
|---------|---|---|
| 20 -kPa | 2150 N | 1828 N |
| 60 -kPa | 3200 N | 2720 N |
| 90 -kPa | 4630 N | 3936 N |

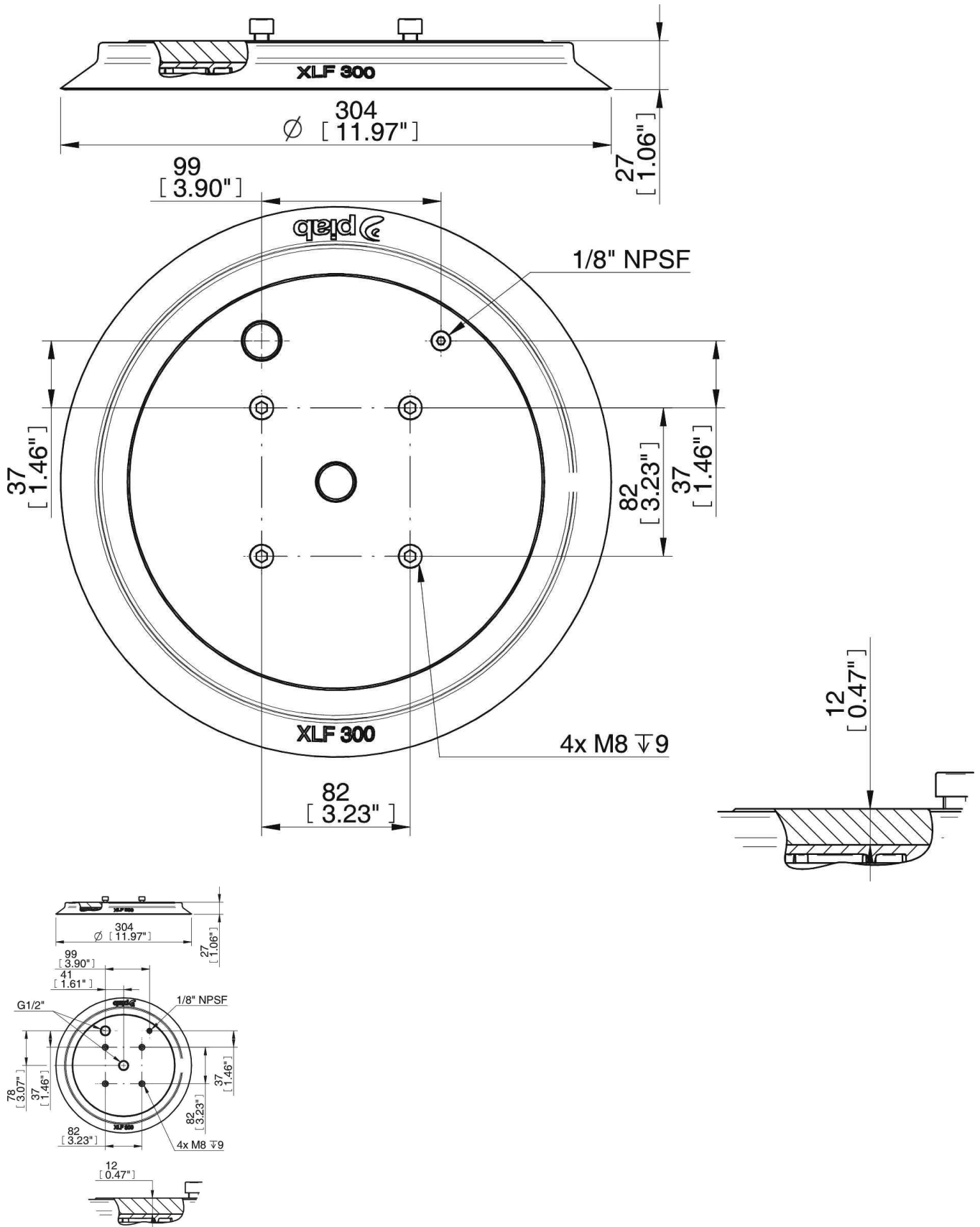
Material

| | |
|-------------|-------------------|
| | Nitrile-PVC (NPV) |
| Colour | Black |
| Hardness | 50 °Shore A |
| Temperature | 0 – 90 °C |

Material resistance

| | |
|--------------------|-------------------|
| | Nitrile-PVC (NPV) |
| Alcohol | ++ |
| Concentrated acids | + |
| Ethanol | N/A |
| Hydrolysis | ++ |
| Methanol | N/A |
| Oil | +++ |
| Oxidation | ++ |
| Petrol | +++ |
| Wear resistance | +++ |
| Weather and ozone | ++ |

Dimensional drawings



Values specified in the data sheet are tested at:

| | |
|------------------------|--|
| Room temperature | (20°C [68°F] ± 3°C [5.5°F]) |
| Standard atmosphere | (101.3 [29.9 inHg] ± 1.0 kPa [0.3 inHg]) |
| Relative humidity | 0-100% |
| Compressed air quality | DIN ISO 8573-1 class 4 |