



Item no: 0122457

Suction cup OCF40x110P Polyurethane 55/60, G3/8" male

Special designed friction cups for oily surfaces, such as sheets in metal forming processes. Thanks to the strong grip on oily surfaces, the suction cups can withstand high shear forces, typically 2–4 times more than corresponding conventional suction cups. The OCF-P design is suitable for oblong objects with... slightly domed and flat surfaces, such as those encountered with body parts in the automotive industry. The suction cups have support cleats that prevent thin objects from being disfigured. DURAFLEX® suction cups manufactured in a specially developed material that features the elasticity of rubber and wear resistance of polyurethane. The material does not leave any marks on the objects handled.

- Special designed friction cups for oily surfaces, such as sheets in metal forming processes.
- Normal wear on friction cup will not affect the long term shear force performance.
- Best choice if $> 0,1\text{g}/\text{m}^2$ press oil is used on the sheet.
- Thanks to the strong grip on oily surfaces, the suction cups can withstand high shear forces, typically 2–4 times more than corresponding conventional suction cups.
- The "OCF" design is suitable for oblong objects with slightly curved or flat surfaces.
- Fitting option, male G3/8", with a swivel function prior to the locking operation, for easy positioning of the oval cup.
- DURAFLEX® suction cups manufactured in a specially developed material that features the elasticity of rubber and wear resistance of polyurethane. The material does not leave any marks on the objects handled.

General

Application	Oily sheet metal
Suction cup shape	Oval Concave
Material	PU55, PU60
Suction cup model	OCF-P
Weight	55 g
Volume	34 cm ³
Suction cup model	OCF40X110P Dry metal sheet
Specification	Dry metal sheet
Movement, vertical max.	5.3 mm
Curve radius, min.	42 mm
Suction cup model	OCF40X110P Oily steel plate
Specification	Oily steel plate





Fitting

Fitting option	None
Fitting size	3/8"
Fitting style	Male
Fitting type	G-thread

Dimension

Height	32.5 mm
Length	113 mm
Width	43 mm


Performance - lifting forces

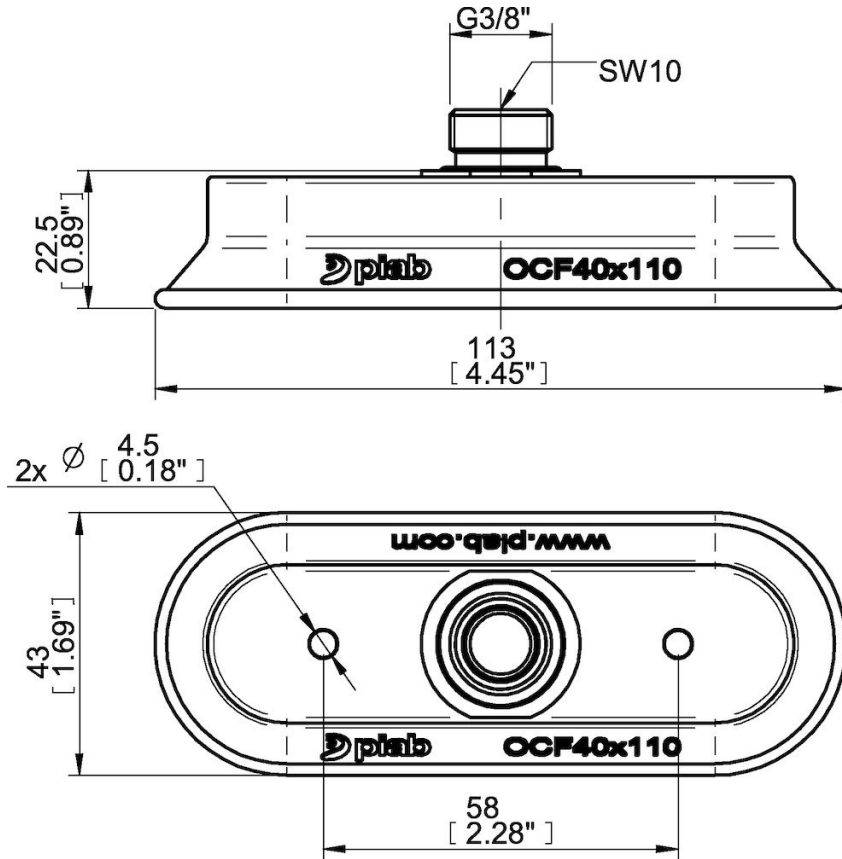
OCF40X110P Dry metal sheet		
60 -kPa	178 N	167 N
90 -kPa	245 N	232 N
OCF40X110P Oily steel plate		
60 -kPa	185 N	54 N
90 -kPa	246 N	78 N

Material

Name	PU55	PU60
Colour	Orange	GreenTransparent
Temperature	10 - 50 °C	10 - 50 °C
Hardness	55 °Shore A	60 °Shore A

	PU55	PU60
Alcohol	n/a	n/a
Concentrated acids	+	+
Ethanol	+	+
Hydrolysis	+	+
Methanol	-	-
Oil	+++	+++
Oxidation	-	-
Petrol	+	+
Wear resistance	+++	+++
Weather and ozone	+++	+++

Dimensional drawings 



Values specified in the data sheet are tested at:

- Room temperature: (20°C [68°F] ± 3°C [5.5°F])
- Standard atmosphere: (101.3 [29.9 inHg] ± 1.0 kPa [0.3 inHg])
- Relative humidity: 0-100%
- Compressed air quality: DIN ISO 8573-1 class 4