



Item no: 0121847

## Suction cup OCF20x80P Polyurethane 55/60, G3/8" male

Special designed friction cups for oily surfaces, such as sheets in metal forming processes. Thanks to the strong grip on oily surfaces, the suction cups can withstand high shear forces, typically 2–4 times more than corresponding conventional suction cups. The OCF-P design is suitable for oblong objects with... slightly domed and flat surfaces, such as those encountered with body parts in the automotive industry. The suction cups have support cleats that prevent thin objects from being disfigured. DURAFLEX® suction cups manufactured in a specially developed material that features the elasticity of rubber and wear resistance of polyurethane. The material does not leave any marks on the objects handled.

- Special designed friction cups for oily surfaces, such as sheets in metal forming processes.
- Normal wear on friction cup will not affect the long term shear force performance.
- Best choice if  $> 0,1\text{g}/\text{m}^2$  press oil is used on the sheet.
- Thanks to the strong grip on oily surfaces, the suction cups can withstand high shear forces, typically 2–4 times more than corresponding conventional suction cups.
- The "OCF" design is suitable for oblong objects with slightly curved or flat surfaces.
- Fitting option, male G3/8", with a swivel function prior to the locking operation, for easy positioning of the oval cup.
- DURAFLEX® suction cups manufactured in a specially developed material that features the elasticity of rubber and wear resistance of polyurethane. The material does not leave any marks on the objects handled.

## General

Application	Oily sheet metal
Suction cup shape	Oval Concave
Material	PU55, PU60
Suction cup model	OCF-P
Weight	24 g
Volume	15 cm <sup>3</sup>
Suction cup model	OCF20x80P Dry metal sheet
Specification	Dry metal sheet
Movement, vertical max.	3.3 mm
Curve radius, min.	20 mm
Suction cup model	OCF20x80P Oily steel plate
Specification	Oily steel plate

---

## Fitting

Fitting option	None
Fitting size	3/8"
Fitting style	Male
Fitting type	G-thread





---

## Dimension

Height	27 mm
Length	84 mm
Width	24 mm

---

## Performance - lifting forces

OCF20x80P Dry metal sheet		
60 -kPa	75 N	78 N
90 -kPa	111 N	112 N
OCF20x80P Oily steel plate		
60 -kPa	82 N	35 N
90 -kPa	90 N	48 N


---

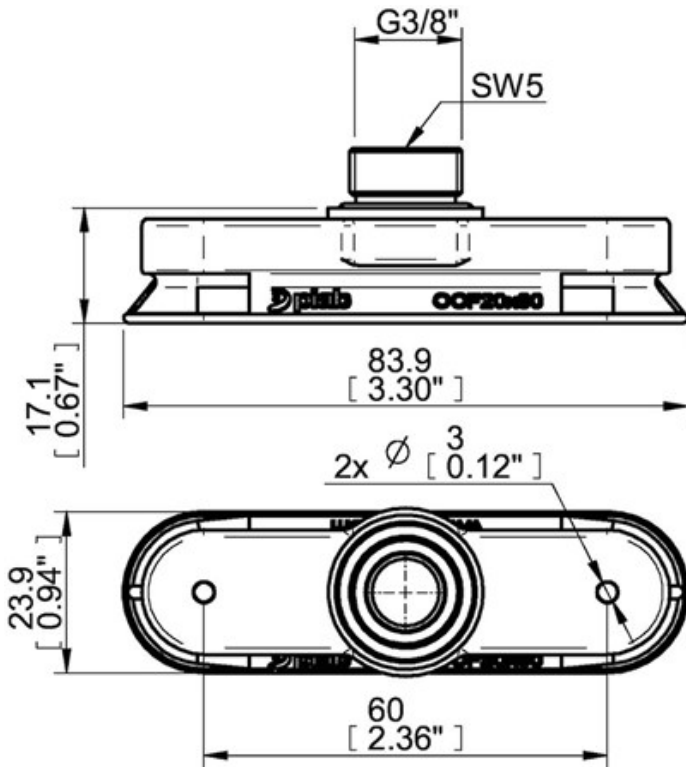
## Material

Name	PU55	PU60
Colour	Orange	GreenTransparent
Temperature	10 - 50 °C	10 - 50 °C
Hardness	55 °Shore A	60 °Shore A

---

	PU55	PU60
Alcohol	n/a	n/a
Concentrated acids	+	+
Ethanol	+	+
Hydrolysis	+	+
Methanol	-	-
Oil	+++	+++
Oxidation	-	-
Petrol	+	+
Wear resistance	+++	+++
Weather and ozone	+++	+++

Dimensional drawings 



Values specified in the data sheet are tested at:

- Room temperature: (20°C [68°F] ± 3°C [5.5°F])
- Standard atmosphere: (101.3 [29.9 inHg] ± 1.0 kPa [0.3 inHg])
- Relative humidity: 0-100%
- Compressed air quality: DIN ISO 8573-1 class 4