

# Suction cup BX20P Polyurethane 30/60, G1/8" male / M5 female, 0125105



- Suitable for level adjustment and for uneven and porous surfaces such as cardboard, etc.
- In the two-coloured suction cup the bellows and the sealing lip are of different hardnesses, which makes the suction cup strong and stable and, at the same time, soft and flexible.
- DURAFLEX® suction cups manufactured in a specially developed material that features the elasticity of rubber and wear resistance of polyurethane.
- The material DURAFLEX® is mark free.

## General

Item number, alternative	125105
Curve radius	10 mm
Movement, vertical max.	7.5 mm
Application	Mark Free, Plastic injection molded parts, Dry sheet metal, Corrugated / cardboard
Material	Polyurethane (PU30), Polyurethane (PU60)
Suction cup model	BX-P
Suction cup shape	Multibellows
Volume	1.16 cm <sup>3</sup>
Weight	1.43 g

## Fitting

Fitting size	1/8", M5
Fitting style	Female/Male
Fitting type	G-thread, M-thread
Fitting option	Filter mesh

## Dimension

Height	22.7 mm
Outer diameter	21 mm

## Performance — lifting forces

		
20 -kPa	4.5 N	4 N
60 -kPa	7 N	5.6 N
90 -kPa	9.5 N	6.5 N

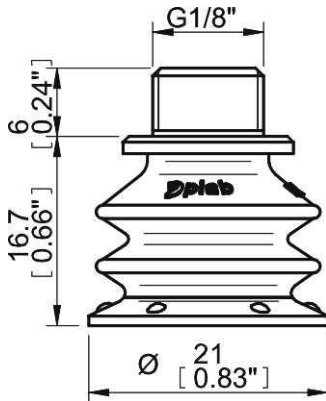
## Material

	Polyurethane (PU30)	Polyurethane (PU60)
Colour	Yellow	Green transparent
Hardness	30 °Shore A	60 °Shore A
Temperature	10 – 50 °C	10 – 50 °C

## Material resistance

	Polyurethane (PU30)	Polyurethane (PU60)
Alcohol	N/A	N/A
Concentrated acids	+	+
Ethanol	+	+
Hydrolysis	+	+
Methanol	-	-
Oil	+++	+++
Oxidation	-	-
Petrol	+	+
Wear resistance	+++	+++
Weather and ozone	+++	+++

## Dimensional drawings



## Values specified in the data sheet are tested at:

Room temperature	(20°C [68°F] ± 3°C [5.5°F])
Standard atmosphere	(101.3 [29.9 inHg] ± 1.0 kPa [0.3 inHg])
Relative humidity	0-100%
Compressed air quality	DIN ISO 8573-1 class 4

## Spare parts

	Item no.
Suction cup BX20P Polyurethane 30/60	0118507
Fitting G1/8" male/M5 female, with mesh filter	0101152

## Accessories

	Item no.
Suction cup BX20P Polyurethane 60	0124249
Fitting 1/8" NPT male, with mesh filter	3250088
Fitting M5 female	3250003
Fitting G1/8" male, with mesh filter	3250085
Fitting 5xM5 female	0100260
Fitting G1/8" male/M5 female, with dual flow control valve	3251004