



Item no: 0118994

Suction cup BFF60P Polyurethane 55/60, G3/8" male, with mesh filter

The BFF-P design is suitable for oily surfaces, uneven/curved surfaces or if level compensation is needed, for example in de-stacking applications. The flat inner support gives stability during movement in any orientation. Special designed friction cups for oily surfaces, such as sheets in metal forming processes... Thanks to the strong grip on oily surfaces, the suction cups can withstand high shear forces, typically 2–4 times more than corresponding conventional suction cups.

- Special designed friction cups for oily surfaces, such as sheets in metal forming processes.
- Normal wear on friction cup will not affect the long term shear force performance.
- Best choice if $> 0.1\text{g}/\text{m}^2$ press oil is used on the sheet.
- Thanks to the strong grip on oily surfaces, the suction cups can withstand high shear forces, typically 2–4 times more than corresponding conventional suction cups.
- The "BFF" design is suitable for uneven/curved surfaces or if level compensation is needed, for example in de-stacking applications.
- The flat inner support gives stability during movement in any orientation.
- DURAFLEX® suction cups manufactured in a specially developed material that features the elasticity of rubber and wear resistance of polyurethane. The material does not leave any marks on the objects handled.





General

Item number, alternative	E12056035
Application	Oily sheet metal
Material	PU55, PU60
Weight	30 - 29 g
Suction cup model	BFF60P Dry metal sheet
Specification	Dry metal sheet
Movement, vertical max.	10 mm
Curve radius, min.	35 mm
Suction cup model	BFF60P Oily steel plate
Specification	Oily steel plate

Dimensions DWG

Diameter	61.3 mm
Diameter	61.4 mm
Thread	G 3/8 in


Performance - lifting forces

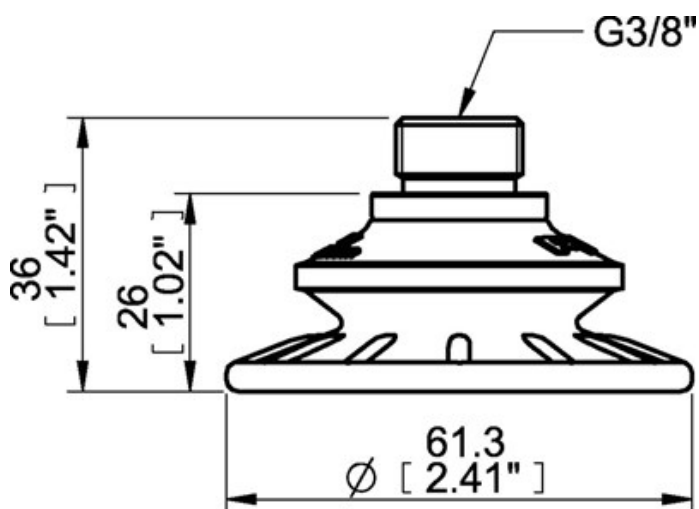
BFF60P Dry metal sheet		
60 -kPa	77 N	90 N
90 -kPa	112 N	122 N
BFF60P Oily steel plate		
60 -kPa	82 N	76 N
90 -kPa	106 N	93 N

Material

Name	PU55	PU60
Colour	Orange	GreenTransparent
Temperature	10 - 50 °C	10 - 50 °C
Hardness	55 °Shore A	60 °Shore A

	PU55	PU60
Alcohol	n/a	n/a
Concentrated acids	+	+
Ethanol	+	+
Hydrolysis	+	+
Methanol	-	-
Oil	+++	+++
Oxidation	-	-
Petrol	+	+
Wear resistance	+++	+++
Weather and ozone	+++	+++

Dimensional drawings 



Values specified in the data sheet are tested at:

- Room temperature: (20° C [68° F] ± 3° C [5.5° F])
 - Standard atmosphere: (101.3 [29.9 inHg] ± 1.0 kPa [0.3 inHg])
 - Relative humidity: 0-100%
 - Compressed air quality: DIN ISO 8573-1 class 4
-