



Item no: 0102767

Vacuum pump MINI M20L, conn. C, NBR sealings

COAX® is an advanced solution for creating vacuum with compressed air. Based on Piab's multistage technology, COAX® cartridges are smaller, more efficient and more reliable than conventional ejectors, that allows for the design of a flexible, modular and efficient vacuum system. The two-stage COAX®... cartridge MICRO is probably the world's smallest multistage vacuum ejector. Its low weight makes it suitable to integrate close to the suction point in high speed pick-and-place applications of small objects. The two-stage COAX® cartridge MINI has small mounting dimensions and the three-stage COAX® cartridge MINI has high initial vacuum flow. The two-stage COAX® cartridge MIDI has small mounting dimensions and the three-stage COAX® cartridge MIDI has high initial vacuum flow. The MIDI cartridges are efficient generators of blow-air and are also suitable for fast evacuation of large volumes.

- Medium vacuum levels to 84 -kPa
- Small size and low weight
- Operates at only 0.38 MPa
- Available with connection plate in aluminium (B1) and composite PA (B, C)

General


Material	ABS, PA, POM, SS, AL, NBR
Noise level	57 - 68 dBA
Temperature	-20 - 80 °C
Weight	60 - 74 g

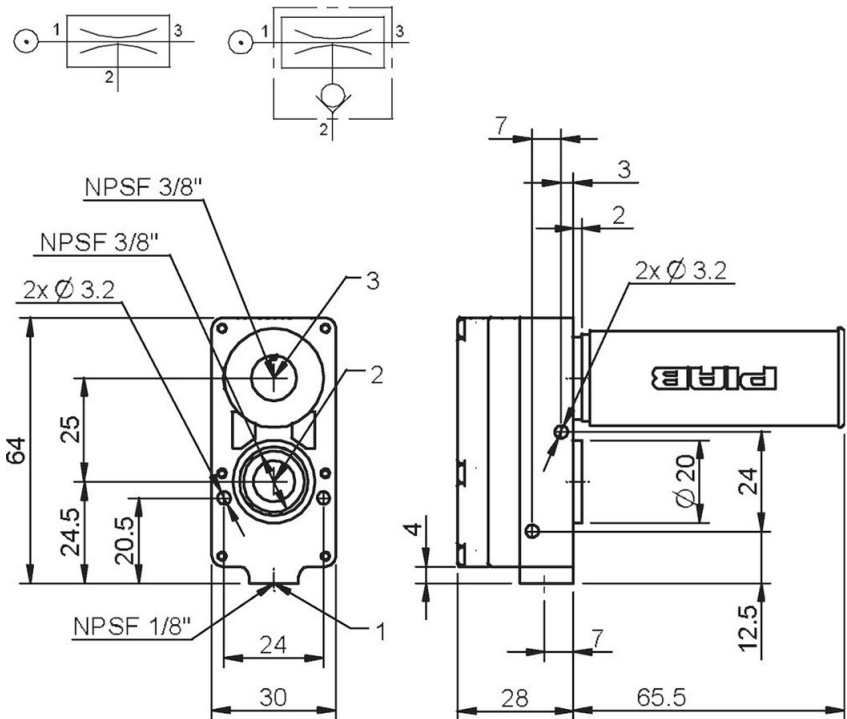
Performance

Feed pressure, max. 0.7 MPa

Feed pressure MPa	Air consumption NI/s	Vacuum flow (NI/s) at different vacuum levels (-kPa)										Max vacuum -kPa
		0	10	20	30	40	50	60	70	80	80	
M20L 0,38 - 0.38	1.5	2	1.2	0.76	0.67	0.53	0.41	0.33	0.19	0.02	81	
M20L 0,60 - 0.6	2.2	2.4	1.7	0.95	0.57	0.48	0.38	0.29	0.19	0.06	84	

Feed pressure MPa	Air consumption NI/s	Evacuation time (s/l) to reach different vacuum levels (-kPa)										Max vacuum -kPa
		10	20	30	40	50	60	70	80	90	80	
M20L 0,38 - 0.38	1.5	0.052	0.14	0.26	0.42	0.64	1	1.7	3.7	0	81	
M20L 0,60 - 0.6	2.2	0.038	0.1	0.24	0.43	0.68	1	1.5	2.5	0	84	

Dimensional drawings 



Spare parts

3201097 | Sealing kit MINI 5-28, NBR

3201097E | Sealing kit MINI 5-28, EPDM

3201097V | Sealing kit MINI 5-28, Viton®

