



Item no: 0102865

Vacuum pump MINI M5L, conn. A, NBR sealings

COAX® is an advanced solution for creating vacuum with compressed air. Based on Piab's multistage technology, COAX® cartridges are smaller, more efficient and more reliable than conventional ejectors, that allows for the design of a flexible, modular and efficient vacuum system. The two-stage COAX®... cartridge MICRO is probably the world's smallest multistage vacuum ejector. Its low weight makes it suitable to integrate close to the suction point in high speed pick-and-place applications of small objects. The two-stage COAX® cartridge MINI has small mounting dimensions and the three-stage COAX® cartridge MINI has high initial vacuum flow. The two-stage COAX® cartridge MIDI has small mounting dimensions and the three-stage COAX® cartridge MIDI has high initial vacuum flow. The MIDI cartridges are efficient generators of blow-air and are also suitable for fast evacuation of large volumes.

- Medium vacuum levels to 84 -kPa
- Small size and low weight
- Optimal pressure is 0.38 MPa

General


Material	PA, POM, SS, NBR
Noise level	57 - 68 dBA
Temperature	-20 - 80 °C
Weight	30 g

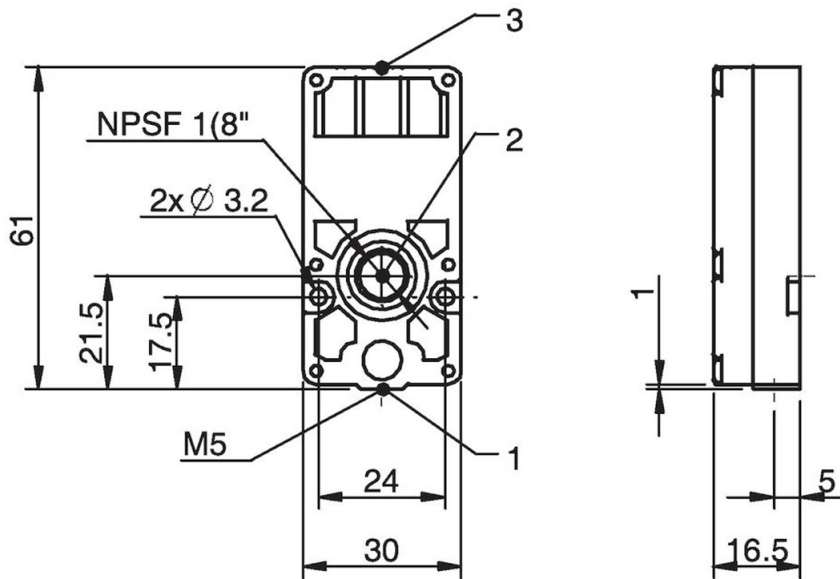
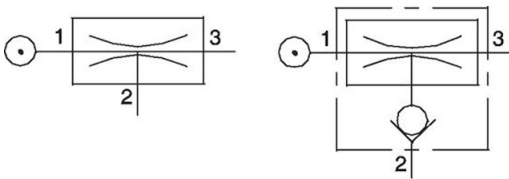
Performance

Feed pressure, max. 0.7 MPa

Feed pressure MPa	Air consumption NI/s	Vacuum flow (NI/s) at different vacuum levels (-kPa)										Max vacuum -kPa
		0	10	20	30	40	50	60	70	80	80	
M5L 0,38 - 0.38	0.38	0.58	0.3	0.22	0.18	0.14	0.1	0.08	0.04	0.01	0.01	81
M5L 0,60 - 0.6	0.55	0.73	0.5	0.26	0.14	0.12	0.1	0.08	0.05	0.02	0.02	84

Feed pressure MPa	Air consumption NI/s	Evacuation time (s/l) to reach different vacuum levels (-kPa)										Max vacuum -kPa
		10	20	30	40	50	60	70	80	90	90	
M5L 0,38 - 0.38	0.38	0.2	0.61	1.2	1.8	2.6	3.8	5.9	11.1	0	0	81
M5L 0,60 - 0.6	0.55	0.13	0.36	1	1.8	2.8	4	5.7	9.4	0	0	84

Dimensional drawings 



Spare parts

3201097E | Sealing kit MINI 5-28, EPDM

3201097V | Sealing kit MINI 5-28, Viton®

3201097 | Sealing kit MINI 5-28, NBR