

Piab Bellows suction cup

S.B30-2CR60.NS18F.01



- ▶ The lifting movement can be used to separate small and thin objects.
- ▶ Only lightweight objects should be handled when the lifting force is parallel to the surface of the object, in order to achieve good precision and safe lifting movement.
- ▶ Suitable for level adjustment. Several short bellows in one lifting device can handle objects with height differences and varying shapes, for example embossed or corrugated plates.
- ▶ With mesh filter.

Lifting force

Description	Vertical			Parallel		
	20 -kPa	60 -kPa	90 -kPa	20 -kPa	60 -kPa	90 -kPa
Lifting forces	12.0 N	22.0 N	27.0 N	9.4 N	16.6 N	22.2 N

Technical data

Description	Unit	Value
Internal volume	cm ³	10.0
Weight	g	14
Min. curve radius -60 kPa	mm	15.0
Max. vertical movement	mm	14.0
Application	-	Dry sheet metal,
Material	-	Chloroprene (CR)
Colour	-	Black
Suction cup model	-	B
Suction cup shape	-	Bellows
Hardness °Shore A	-	60 °Shore A
Temperature range (°C)	°C	-40 – 110
Actuated outer diameter, max	mm	38.3

Fitting

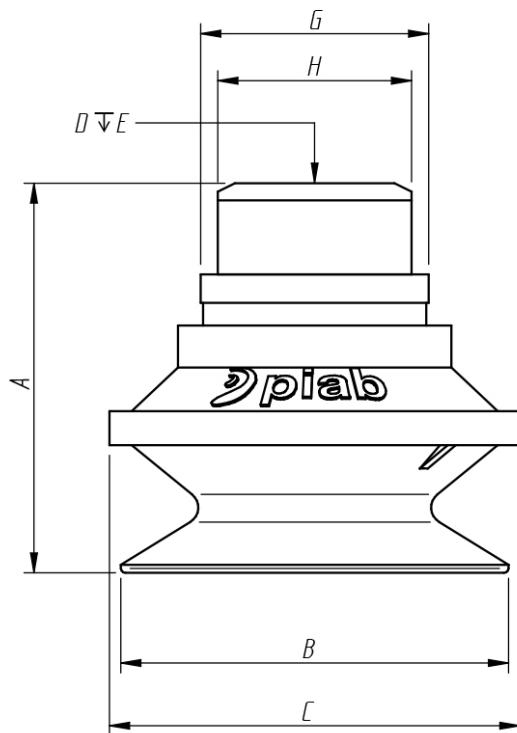
Description	Value
Fitting size	1/8"
Fitting style	Female
Fitting type	NPSF-Thread
Fitting material	SS, Al
Fitting option	Filter mesh

Material resistance , Chloroprene

Description	Value
Alcohol	Good
Concentrated Acids	Poor
Ethanol	N/A
Hydrolysis	Good

Methanol	N/A
Oil	Fair
Oxidation	Good
Petrol	Fair
Wear Resistance	Excellent
Weather & Ozone	Good

Dimensional drawing



Product code	Description	Unit	Value
A	Building height	mm [inch]	34.2 [1.35"]
B	Diameter lip	mm [inch]	34.0 [1.34"]
C	Diameter (bellows)	mm [inch]	36.0 [1.42"]
D	Thread	-	NPSF 1/8"
E	Thread height	mm [inch]	6.0 [0.24"]
G	Diameter (upper part cup)	mm [inch]	20.0 [0.79"]
H	Keygrip	mm	SW 17

Ordering information

Description	Product code
Bellows suction cup , Ø 30mm model 2, Chloroprene, 60 °Shore A, NPSF-Thread, 1/8", Female, Filter mesh	S.B30-2CR60.NS18F.01

Ordering information, spare parts

Description	Art. No.
Fitting 1/8" NPSF female, 30–40, with mesh filter	0101153
Suction cup B30-2 Chloroprene	0101103
Filter D=34, HDPE, 20 pcs	0201148

Ordering information, accessories

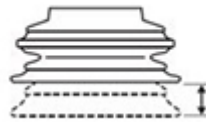
Description	Art. No.
Fitting 1/8" NPSF female, 30-40	3250005
Fitting 1/8" NPSF female, 30-40, with dual flow control valve	3251006
Fitting 1/8" NPSF female, 30-40, with cone valve	0101156
Fitting 1/8" NPSF female, 30-40, PA	3150197
Fitting G1/4" male, 30-40, with mesh filter	3250091
Fitting G1/4" male, 30-40, with mesh filter and dual flow control valve	3251007
Fitting G3/8" male, 30-40, with mesh filter	3250086
Fitting G3/8" male, 30-40, with mesh and dual flow control valve	3251009
Fitting 5x1/8" NPSF female, 30-40	0100261
Fitting 5x1/8" NPSF female, 30-40, with dual flow control valve	3251011
Fitting 1/4" NPT male, with mesh filter	3250093
Fitting 1/4" NPT male, with dual flow control valve	3251008
Fitting 3/8" NPT male, with mesh filter	3250089
Fitting 3/8" NPT male, with dual flow control valve	3251010
Fitting G1/8" male, 40, with mesh filter	0200714
Suction cup B30-2 Silicone	0101104
Suction cup B30-2 HNBR	0108077
Suction cup B30-2 Silicone FCM	0200407

Values specified in data sheet are tested at:

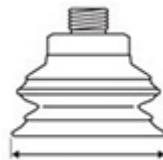
- Room temperature (20°C [68°F] ± 3°C [5.5°F]).
- Standard atmosphere (101.3 [29.9 inHg] ± 1.0 kPa [0.3 inHg]).
- Relative humidity 20-70%.
- Compressed air quality, DIN ISO 8573-1 class 4.



Internal volume



Max. vertical movement



Diameter lip



Min. curve radius -60 kPa

Storage guidelines (scan QR code)

