



Item no: 0101855

Suction cup B75 Nitrile-PVC, G3/8" female, with mesh filter

Several short bellows cups in one lifting device can handle objects with height differences and varying shapes. The bellows also provide a slight lifting movement to separate thin items. Materials used are silicone, conductive silicone, chloroprene, HNBR and nitrile-PVC.

- Suitable for level adjustment. Several short bellows in one lifting device can handle objects with height differences and varying shapes, for example embossed or corrugated plates.
- The lifting movement can be used to separate small and thin objects.
- Only lightweight objects should be handled when the lifting force is parallel to the surface of the object, in order to achieve good precision and safe lifting movement.

General

Application	PlasticInjectionMoldedParts, DrySheetMetal
Suction cup shape	Bellows
Material	Nitrile-PVC (NPV)
Suction cup model	B
Weight	35 g
Volume	110 cm ³
Suction cup model	B75
Movement, vertical max.	24 mm
Curve radius, min.	40 mm



Fitting

Fitting option	Filter mesh
Fitting size	3/8"
Fitting style	Female
Fitting type	G-thread

Dimension

Height	50.3 mm
Outer diameter, actuated	88.7 mm
Outer diameter	78 mm


Performance - lifting forces

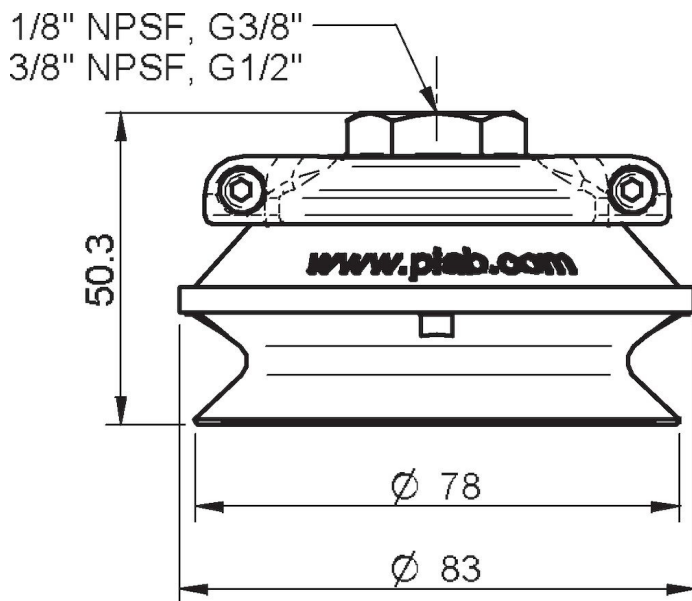
	B75		
20 -kPa		74 N	62.4 N
60 -kPa		167 N	122.4 N
90 -kPa		226 N	154.1 N

Material

Name	NPV
Colour	Black
Temperature	0 - 90 °C
Hardness	50 °Shore A

	NPV
Alcohol	++
Concentrated acids	+
Ethanol	n/a
Hydrolysis	++
Methanol	n/a
Oil	+++
Oxidation	++
Petrol	+++
Wear resistance	+++
Weather and ozone	++

Dimensional drawings 



Values specified in the data sheet are tested at:

- Room temperature: (20°C [68°F] ± 3°C [5.5°F])
 - Standard atmosphere: (101.3 [29.9 inHg] ± 1.0 kPa [0.3 inHg])
 - Relative humidity: 0-100%
 - Compressed air quality: DIN ISO 8573-1 class 4
-

Accessories

0127821 | Fitting 1/4" NPT female Al, with mesh filter & 10-32 addl. conn.

0127819 | Fitting 1/8" NPSF female Al, with mesh filter

0100548 | Fitting 75, 1/8" NPSF female, with mesh filter

0100553 | Fitting 75, 3/8" NPSF female, with mesh filter

0100555 | Fitting 75, G1/2" female, with mesh filter

0127820 | Fitting G1/2" female Al, with mesh filter

3150107T | Suction cup B75 HNBR

3150034T | Suction cup B75 HNBR with washer

3150034P | Suction cup B75 Nitrile-PVC with washer

3150107S | Suction cup B75 Silicone

3150034S | Suction cup B75 Silicone with washer

Spare parts

0100551 | Fitting 75, G3/8" female, with mesh filter

3150107P | Suction cup B75 Nitrile-PVC