



Item no: 0119125

Suction cup OBF50x140P Polyurethane 55/60, G3/8" male, with mesh filter

Special designed friction cups for oily surfaces, such as sheets in metal forming processes. Thanks to the strong grip on oily surfaces, the suction cups can withstand high shear forces, typically 2–4 times more than corresponding conventional suction cups. The OBF-P design is suitable for oblong objects with... domed and flat surfaces, such as those encountered with body parts in the automotive industry. Can handle objects with height differences. DURAFLEX® suction cups manufactured in a specially developed material that features the elasticity of rubber and wear resistance of polyurethane. The material does not leave any marks on the objects handled.

- Special designed friction cups for oily surfaces, such as sheets in metal forming processes.
- Normal wear on friction cup will not affect the long term shear force performance.
- Best choice if $> 0,1\text{g}/\text{m}^2$ press oil is used on the sheet.
- Thanks to the strong grip on oily surfaces, the suction cups can withstand high shear forces, typically 2–4 times more than corresponding conventional suction cups.
- The "OBF" design is suitable for oblong objects with domed and flat surfaces, such as those encountered with body parts in the automotive industry.
- Can handle objects with height differences.
- Fitting option, male G3/8", with a swivel function prior to the locking operation, for easy positioning of the oval cup.
- DURAFLEX® suction cups manufactured in a specially developed material that features the elasticity of rubber and wear resistance of polyurethane. The material does not leave any marks on the objects handled.

General

| | |
|-------------------------|-----------------------------|
| Application | Oily sheet metal |
| Suction cup shape | Oval Bellows |
| Material | PU55, PU60 |
| Suction cup model | OBF |
| Weight | 172 - 190 g |
| Volume | 95 cm ³ |
| Suction cup model | OBF50x140P Dry metal sheet |
| Specification | Dry metal sheet |
| Movement, vertical max. | 14 mm |
| Curve radius, min. | 50 mm |
| Suction cup model | OBF50x140P Oily steel plate |
| Specification | Oily steel plate |





Fitting

| | |
|----------------|-------------|
| Fitting option | Filter mesh |
| Fitting size | 3/8" |
| Fitting style | Male |
| Fitting type | G-thread |

Dimension

| | |
|--------|---------|
| Height | 49.5 mm |
| Length | 157 mm |
| Width | 67 mm |


Performance - lifting forces

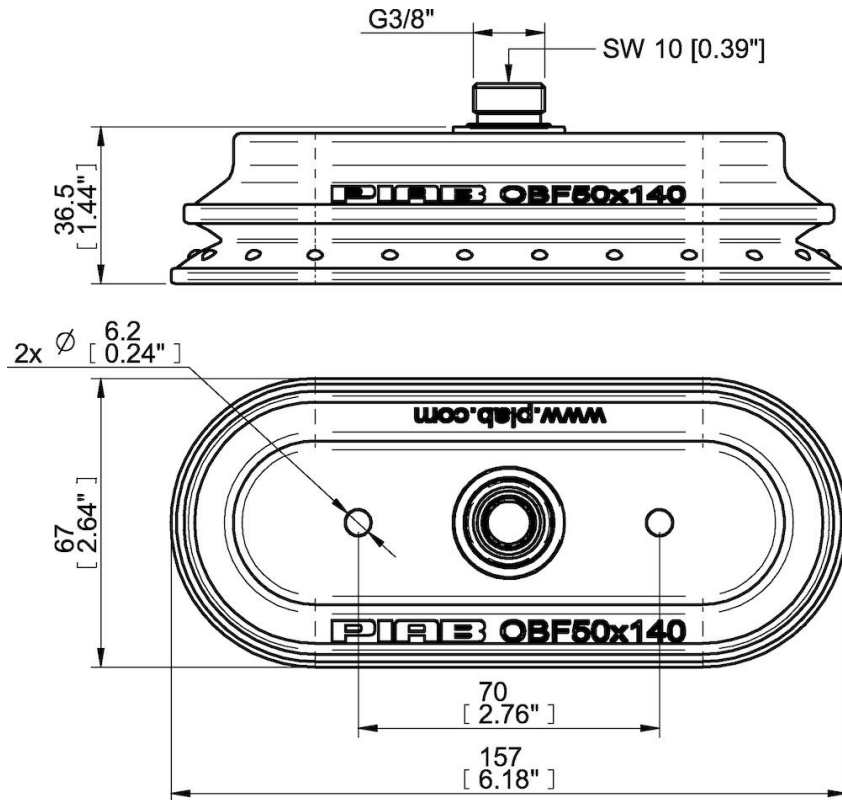
| | | |
|-----------------------------|---|---|
| OBF50x140P Dry metal sheet |  |  |
| 60 -kPa | 325 N | 328 N |
| 90 -kPa | 438 N | 415 N |
| OBF50x140P Oily steel plate |  |  |
| 60 -kPa | 246 N | 271 N |
| 90 -kPa | 372 N | 347 N |

Material

| | | |
|-------------|-------------|------------------|
| Name | PU55 | PU60 |
| Colour | Orange | GreenTransparent |
| Temperature | 10 - 50 °C | 10 - 50 °C |
| Hardness | 55 °Shore A | 60 °Shore A |

| | PU55 | PU60 |
|--------------------|------|------|
| Alcohol | n/a | n/a |
| Concentrated acids | + | + |
| Ethanol | + | + |
| Hydrolysis | + | + |
| Methanol | - | - |
| Oil | +++ | +++ |
| Oxidation | - | - |
| Petrol | + | + |
| Wear resistance | +++ | +++ |
| Weather and ozone | +++ | +++ |

Dimensional drawings 



Values specified in the data sheet are tested at:

- Room temperature: (20°C [68°F] ± 3°C [5.5°F])
- Standard atmosphere: (101.3 [29.9 inHg] ± 1.0 kPa [0.3 inHg])
- Relative humidity: 0-100%
- Compressed air quality: DIN ISO 8573-1 class 4