



Item no: 0110290

Suction cup BF110P Polyurethane 30/60, thread insert G3/8" male with mesh filter

Suitable for uneven and porous surfaces such as cardboard, etc. DURAFLEX® suction cups are manufactured in a specially developed material that features the elasticity of rubber and wear resistance of polyurethane. The material of the DURAFLEX® is mark-free.

- Suitable for uneven surfaces.
- In the two-coloured suction cup the bellows and the sealing lip are of different hardnesses, which makes the suction cup strong and stable and, at the same time, soft and flexible.
- DURAFLEX® suction cups manufactured in a specially developed material that features the elasticity of rubber and wear resistance of polyurethane.
- The material of the DURAFLEX® is mark free.

General

Application	MarkFree, DrySheetMetal
Suction cup shape	Bellows
Material	PU30, PU60
Suction cup model	BF-P
Weight	110 g
Volume	110 cm ³
Suction cup model	BF110P PU30 PU60
Movement, vertical max.	27.4 mm
Curve radius, min.	55 mm

Fitting

Fitting option	Filter mesh
Fitting size	3/8"
Fitting style	Male
Fitting type	G-thread

Dimension

Height	63 mm
Outer diameter, actuated	88.7 mm
Outer diameter	115.5 mm

Performance - lifting forces

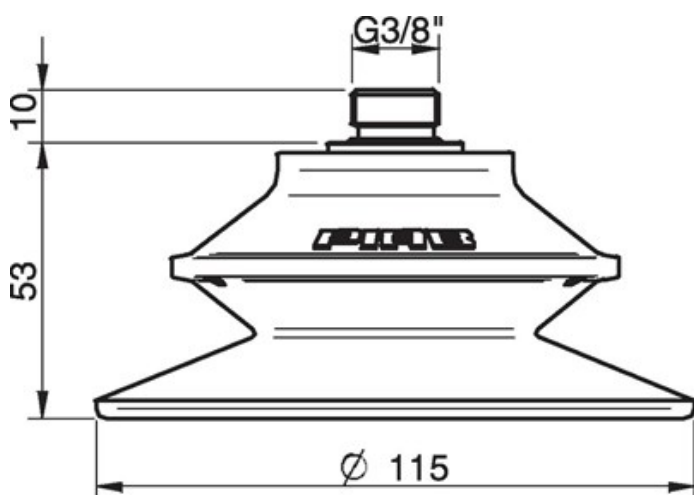
	BF110P	PU30	PU60
20 -kPa	↑	128 N	106 N
60 -kPa		229 N	210 N
90 -kPa		225 N	246 N

Material

Name	PU30	PU60
Colour	Yellow	GreenTransparent
Temperature	10 - 50 °C	10 - 50 °C
Hardness	30 °Shore A	60 °Shore A

	PU30	PU60
Alcohol	n/a	n/a
Concentrated acids	+	+
Ethanol	+	+
Hydrolysis	+	+
Methanol	-	-
Oil	+++	+++
Oxidation	-	-
Petrol	+	+
Wear resistance	+++	+++
Weather and ozone	+++	+++

Dimensional drawings ☰



Values specified in the data sheet are tested at:

- Room temperature: (20° C [68° F] ± 3° C [5.5° F])
 - Standard atmosphere: (101.3 [29.9 inHg] ± 1.0 kPa [0.3 inHg])
 - Relative humidity: 0-100%
 - Compressed air quality: DIN ISO 8573-1 class 4
-

Spare parts

0107148 | Thread insert G3/8" male, with O-ring and mesh filter

0110289 | Suction cup BF110P Polyurethane 30/60 with O-ring