



Item no: 0106985

Suction cup BF80P Polyurethane 30/50, G3/8" male

Suitable for uneven and porous surfaces such as cardboard, etc. DURAFLEX® suction cups are manufactured in a specially developed material that features the elasticity of rubber and wear resistance of polyurethane. The material of the DURAFLEX® is mark-free.

- Suitable for uneven surfaces.
- In the two-coloured suction cup the bellows and the sealing lip are of different hardnesses, which makes the suction cup strong and stable and, at the same time, soft and flexible.
- DURAFLEX® suction cups manufactured in a specially developed material that features the elasticity of rubber and wear resistance of polyurethane.
- The material of the DURAFLEX® is mark free.

General

Application	MarkFree, DrySheetMetal
Suction cup shape	Bellows
Material	PU30, PU50
Suction cup model	BF-P
Weight	53 g
Volume	40 cm ³
Suction cup model	BF80P PU30 PU50
Movement, vertical max.	15.6 mm
Curve radius, min.	50 mm

Fitting

Fitting option	None
Fitting size	3/8"
Fitting style	Male
Fitting type	G-thread

Dimension

Height	46.5 mm
Outer diameter, actuated	61.1 mm
Outer diameter	83.1 mm


Performance - lifting forces

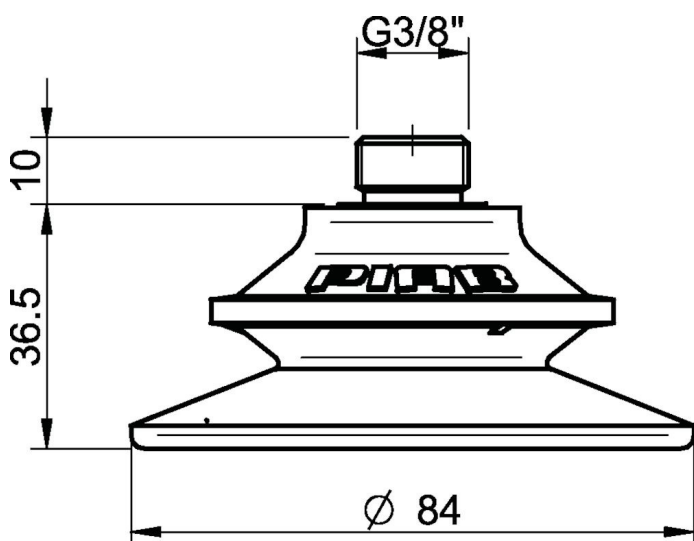
	BF80P	PU30	PU50
20 -kPa		73 N	54 N
60 -kPa		157 N	88 N
90 -kPa		196 N	117 N

Material

Name	PU30	PU50
Colour	Yellow	BlueTransparent
Temperature	10 - 50 °C	10 - 50 °C
Hardness	30 °Shore A	50 °Shore A

	PU30	PU50
Alcohol	n/a	n/a
Concentrated acids	+	+
Ethanol	+	+
Hydrolysis	+	+
Methanol	-	-
Oil	+++	+++
Oxidation	-	-
Petrol	+	+
Wear resistance	+++	+++
Weather and ozone	+++	+++

Dimensional drawings 



Values specified in the data sheet are tested at:

- Room temperature: (20° C [68° F] ± 3° C [5.5° F])
 - Standard atmosphere: (101.3 [29.9 inHg] ± 1.0 kPa [0.3 inHg])
 - Relative humidity: 0-100%
 - Compressed air quality: DIN ISO 8573-1 class 4
-