



Item no: 0101868

Suction cup F75 Silicone, 3/8" NPSF female, with mesh filter

Suitable for flat objects such as cardboard, sheet metal, glass and porous materials. The cleats stop deformation by preventing suction of the object into the cup. The suction cup has good stability and very little movement. Also suitable when the lifting force is parallel to the surface as the cleats increase friction.

- Suitable for flat objects.
- Good stability and little inherent movement.
- Recommended when the lifting force is parallel to the surface of the object.
- Cleats prevent thin, sensitive objects from being deformed and gives extra friction when the lifting force is parallel.

General

Application	Dry sheet metal
Suction cup shape	Flat
Material	Silicone (SIL)
Suction cup model	F
Weight	23 g
Volume	20 cm ³
Suction cup model	F75
Movement, vertical max.	3 mm
Curve radius, min.	150 mm



Fitting

Fitting option	Filter mesh
Fitting size	1/8"
Fitting style	Female
Fitting type	NPSF-thread

Dimension

Height	26 mm
Outer diameter, actuated	79 mm
Outer diameter	77 mm


Performance - lifting forces

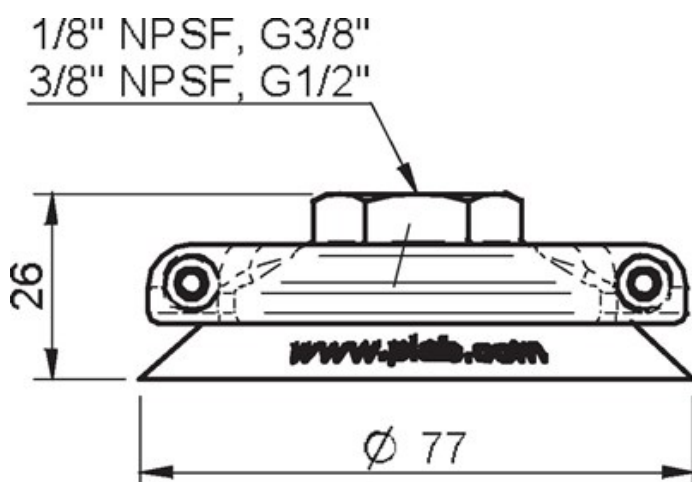
	F75		
20 -kPa		80 N	60 N
60 -kPa		200 N	110 N
90 -kPa		270 N	140 N

Material

Name	SIL
Colour	Red
Temperature	-40 - 200 °C
Hardness	50 °Shore A

	SIL
Alcohol	++
Concentrated acids	-
Ethanol	n/a
Hydrolysis	+
Methanol	n/a
Oil	-
Oxidation	+++
Petrol	-
Wear resistance	++
Weather and ozone	+++

Dimensional drawings 



Values specified in the data sheet are tested at:

- Room temperature: (20° C [68° F] ± 3° C [5.5° F])
 - Standard atmosphere: (101.3 [29.9 inHg] ± 1.0 kPa [0.3 inHg])
 - Relative humidity: 0-100%
 - Compressed air quality: DIN ISO 8573-1 class 4
-

Accessories

3150131P | Suction cup F75 Nitrile-PVC

3150131T | Suction cup F75 HNBR

0100551 | Fitting 75, G3/8" female, with mesh filter

0100552 | Fitting 75, G3/8" female, with cone valve

0100555 | Fitting 75, G1/2" female, with mesh filter

0100556 | Fitting 75, G1/2" female, with cone valve

0100548 | Fitting 75, 1/8" NPSF female, with mesh filter

Spare parts

3150131S | Suction cup F75 Silicone

0100553 | Fitting 75, 3/8" NPSF female, with mesh filter