



Item no: 0206535

Suction cup DCF65P Polyurethane 60, 3/8" NPT female, with mesh filter

- Special designed friction cups for domed or flat oily surfaces, such as sheets in metal forming processes.
- Long lasting material, normal wear on friction cup will not affect the long term shear force performance.
- Best choice if $> 0.1\text{g}/\text{m}^2$ press oil is used on the sheet but also a great choice for dry metal sheets.
- Refined internal friction pattern provides additional grip performance, the suction cups can withstand high shear forces, typically 3–5 times more than corresponding conventional suction cups.
- Thin design that easily will follow convex or concave surfaces. The thin and pliable design in combination with a special inner friction pattern will maximize grip performance.
- DURAFLEX® suction cups manufactured in a specially developed material that features the elasticity of rubber and wear resistance of polyurethane. The material does not leave any marks on the objects handled and has a fantastic elastic memory, even after hundreds of thousands of cycles.

General

Application	Oily sheet metal
Suction cup shape	Deep Concave
Material	Polyurethane (PU60)
Suction cup model	DCF
Weight	64 g
Volume	23.9 cm ³
Suction cup model	DCF65P Oily metal sheet
Specification	Oily metal sheet
Movement, vertical max.	9.9 mm
Curve radius, min.	95 mm
Suction cup model	DCF65P Dry metal sheet
Specification	Dry metal sheet



Fitting

Fitting option	Filter mesh
Fitting size	3/8"
Fitting style	Female
Fitting type	NPT-thread

Dimension

Height	41.2 mm
Outer diameter, actuated	72.3 mm
Outer diameter	67.5 mm

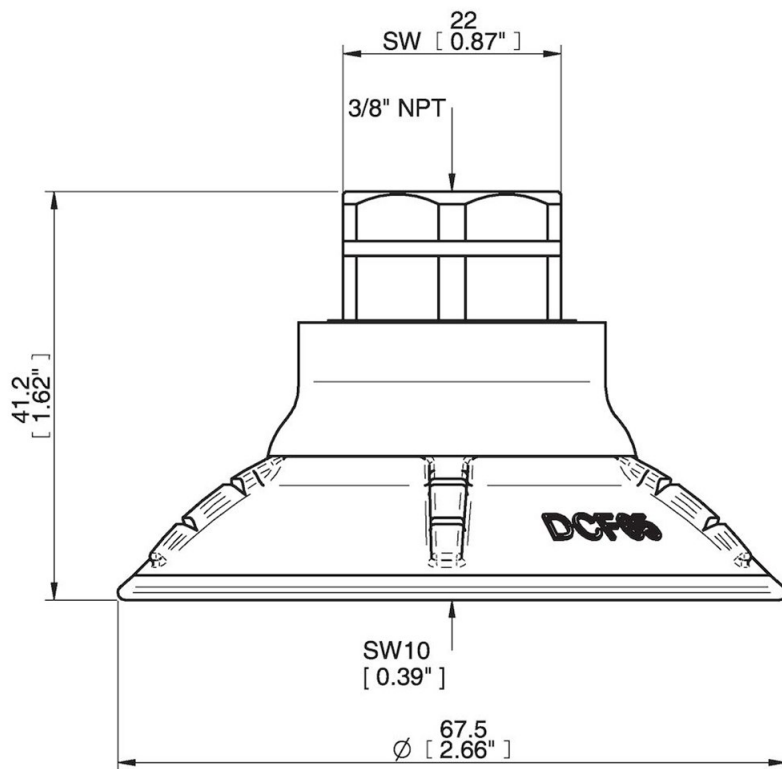
Performance - lifting forces

		
DCF65P Oily metal sheet		
60 -kPa	141 N	100 N
90 -kPa	191 N	134 N
DCF65P Dry metal sheet		
60 -kPa	143 N	146 N
90 -kPa	193 N	196 N

Material

Name	PU60
Colour	Orange
Temperature	10 - 50 °C
Hardness	60 °Shore A

	PU60
Alcohol	n/a
Concentrated acids	+
Ethanol	+
Hydrolysis	+
Methanol	-
Oil	+++
Oxidation	-
Petrol	+
Wear resistance	+++
Weather and ozone	+++



Values specified in the data sheet are tested at:

- Room temperature: (20°C [68°F] ± 3°C [5.5°F])
- Standard atmosphere: (101.3 [29.9 inHg] ± 1.0 kPa [0.3 inHg])
- Relative humidity: 0-100%
- Compressed air quality: DIN ISO 8573-1 class 4