

Item no: 0206372

Suction cup P-D36 Silicone detectable, FCM

- The silicone material complies with FDA 21 CFR 177.2600 and EU 1935/2004.
- Long lasting high-end silicone material
- A low percentage metal additive (Fe) is mixed with the rubber material to make it detectable.
- Suitable for pralines, such as chocolates
- Available with male threaded food grade, detectable plastic fittings or acid proof stainless steel fittings.
- Easy to clean with hygienic design. No dust/dirt pockets.

General

Application	Food contact materials (FDA & EU), detectable
Suction cup shape	Deep
Material	Silicone (SIL detectable FCM)
Suction cup model	P-D
Weight	10.9 g
Volume	16.2 cm ³
Suction cup model	P-D36 Dry metal sheet
Curve radius, min.	37 mm



Fitting

Fitting option	None
Fitting size	None
Fitting style	None
Fitting type	None

Dimension

Height	41.3 mm
Outer diameter	35.8 mm


Performance - lifting forces

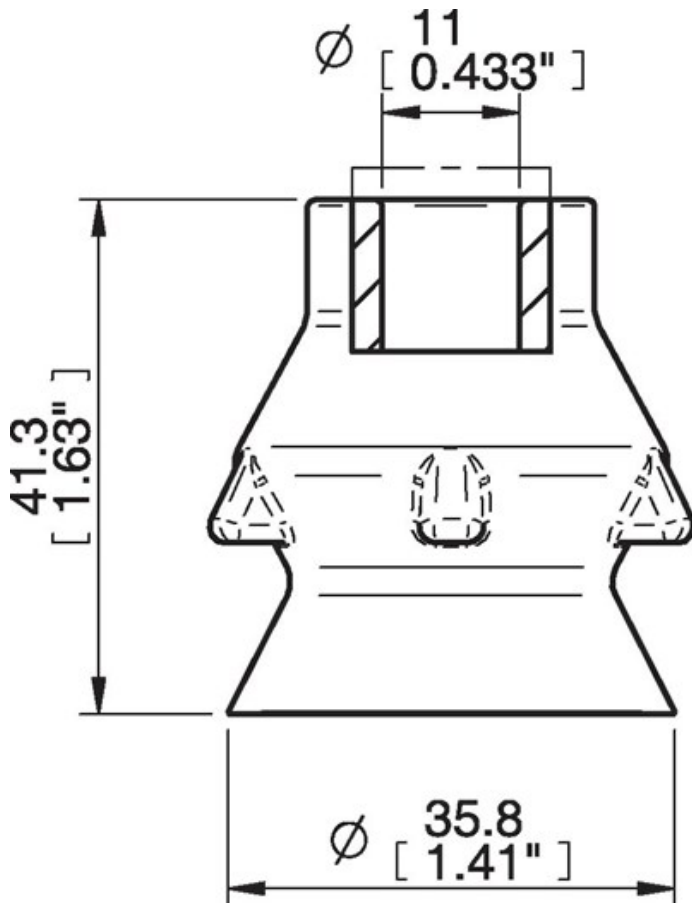
P-D36 Dry metal sheet		
10 -kPa	4.5 N	12.2 N
20 -kPa	8.6 N	16.8 N
40 -kPa	19 N	28.3 N

Material

Name	SILDETFCM
Colour	Blue
Temperature	-40 - 200 °C
Hardness	40 °Shore A

	SILDETFCM
Alcohol	++
Concentrated acids	-
Ethanol	n/a
Hydrolysis	+
Methanol	n/a
Oil	-
Oxidation	+++
Petrol	-
Wear resistance	++
Weather and ozone	+++

Dimensional drawings 



Accessories

0207154 | Fitting 3/8"NPT Male, composite, F-BX25-35 P-D36

0207153 | Fitting G3/8" Male, composite, F-BX25-35 P-D36

0207152 | Fitting 1/4"NPT Male, composite, F-BX25-35 P-D36

0207151 | Fitting G1/4" Male, composite, F-BX25-35 P-D36

0207150 | Fitting 3/8"NPT Male, SS, F-BX25-35 P-D36

0207149 | Fitting G3/8" Male, SS, F-BX25-35 P-D36

0207148 | Fitting 1/4"NPT Male, SS, F-BX25-35 P-D36

0207147 | Fitting G1/4" Male, SS, F-BX25-35 P-D36