

Item no: 0206371

Suction cup P-D27 Silicone detectable, FCM

- The silicone material complies with FDA 21 CFR 177.2600 and EU 1935/2004.
- Long lasting high-end silicone material
- A low percentage metal additive (Fe) is mixed with the rubber material to make it detectable.
- Suitable for pralines, such as chocolates
- Available with male threaded food grade, detectable plastic fittings or acid proof stainless steel fittings.
- Easy to clean with hygienic design. No dust/dirt pockets.

General

Application	Food contact materials (FDA & EU), detectable
Suction cup shape	Deep
Material	Silicone (SIL detectable FCM)
Suction cup model	P-D
Weight	5 g
Volume	6.6 cm ³
Suction cup model	P-D27 Dry metal sheet
Curve radius, min.	28 mm



Fitting

Fitting option	None
Fitting size	None
Fitting style	None
Fitting type	None

Dimension

Height	31.5 mm
Outer diameter	26.9 mm


Performance - lifting forces

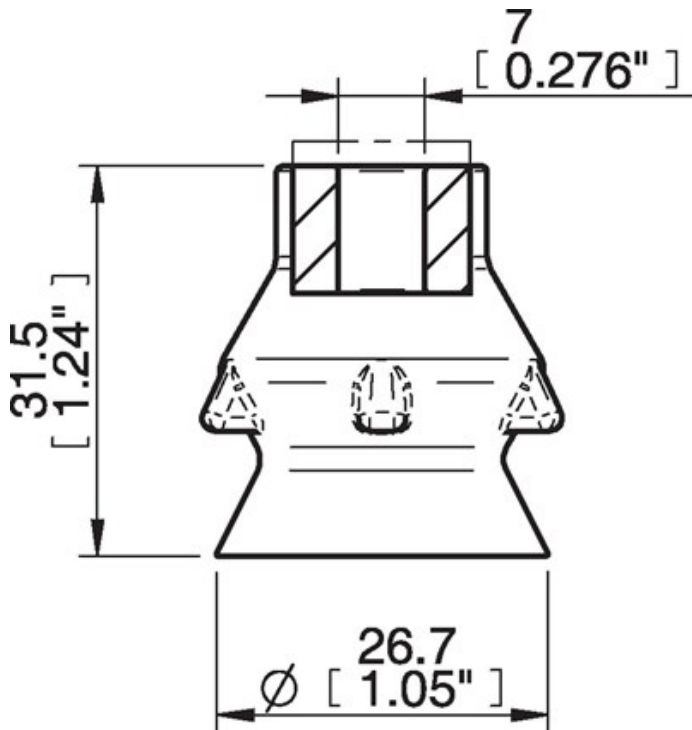
P-D27 Dry metal sheet		
10 -kPa	3.2 N	7.6 N
20 -kPa	5.5 N	13.5 N
40 -kPa	8.1 N	21.4 N

Material

Name	SILDETFCM
Colour	Blue
Temperature	-40 - 200 °C
Hardness	40 °Shore A

	SILDETFCM
Alcohol	++
Concentrated acids	-
Ethanol	n/a
Hydrolysis	+
Methanol	n/a
Oil	-
Oxidation	+++
Petrol	-
Wear resistance	++
Weather and ozone	+++

Dimensional drawings 



Accessories

0207146 | Fitting 1/4"NPT Male, composite, F-BX15-20 P-D27

0207145 | Fitting G1/4" Male, composite, F-BX15-20 P-D27

0207144 | Fitting 1/8"NPT Male, composite, F-BX15-20 P-D27

0207143 | Fitting G1/8" Male, composite, F-BX15-20 P-D27

0207142 | Fitting 1/4"NPT Male, SS, F-BX15-20 P-D27

0207141 | Fitting G1/4" Male, SS, F-BX15-20 P-D27

0207140 | Fitting 1/8"NPT Male, SS, F-BX15-20 P-D27

0207139 | Fitting G1/8" Male, SS, F-BX15-20 P-D27