



Item no: 0206206

Suction cup F-BX35 Silicone detectable, FCM

- The silicone material complies with FDA 21 CFR 177.2600 and EU 1935/2004.
- Long lasting high-end silicone material
- A low percentage metal additive (Fe) is mixed with the rubber material to make it detectable.
- Suitable for frozen and raw food.
- Excellent grip on food with irregular surfaces and different heights, even at fast speeds and accelerations
- Available with male threaded food grade, detectable plastic fittings or acid proof stainless steel fittings.
- Easy to clean with hygienic design. No dust/dirt pockets.
- Low vacuum level needed to collapse bellows. Reduces risk for damaging the handled food product

General

Application	Food contact materials (FDA & EU), detectable
Suction cup shape	Multibellows
Material	Silicone (SIL detectable FCM)
Suction cup model	F-BX
Weight	11.7 g
Volume	13.6 cm ³
Suction cup model	F-BX35
Movement, vertical max.	20.2 mm
Curve radius, min.	13.3 mm



Fitting

Fitting option	None
Fitting size	None
Fitting style	None
Fitting type	None

Dimension

Height	37 mm
Outer diameter, actuated	36 mm
Outer diameter	36 mm

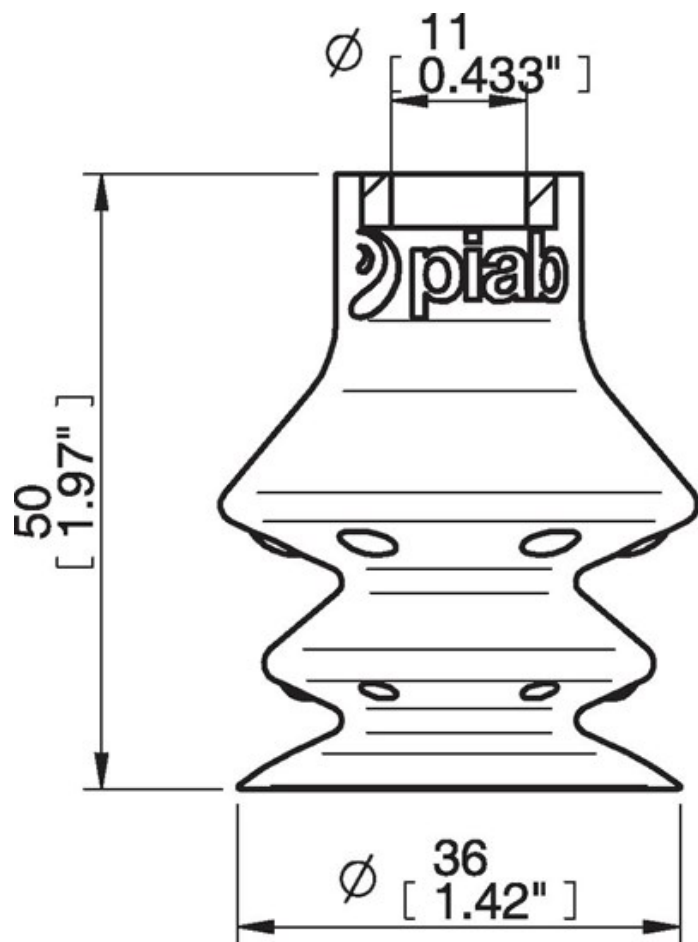
Performance - lifting forces

	F-BX35		
10 -kPa		7.6 N	7.5 N
20 -kPa		12.9 N	9.1 N
40 -kPa		14.2 N	10.3 N

Material

Name	SILDETFCM
Colour	Blue
Temperature	-40 - 200 °C
Hardness	40 °Shore A

	SILDETFCM
Alcohol	++
Concentrated acids	-
Ethanol	n/a
Hydrolysis	+
Methanol	n/a
Oil	-
Oxidation	+++
Petrol	-
Wear resistance	++
Weather and ozone	+++



Accessories

- 0207147 | Fitting G1/4" Male, SS, F-BX25-35 P-D36
- 0207148 | Fitting 1/4"NPT Male, SS, F-BX25-35 P-D36
- 0207149 | Fitting G3/8" Male, SS, F-BX25-35 P-D36
- 0207150 | Fitting 3/8"NPT Male, SS, F-BX25-35 P-D36
- 0207151 | Fitting G1/4" Male, composite, F-BX25-35 P-D36
- 0207152 | Fitting 1/4"NPT Male, composite, F-BX25-35 P-D36
- 0207153 | Fitting G3/8" Male, composite, F-BX25-35 P-D36
- 0207154 | Fitting 3/8"NPT Male, composite, F-BX25-35 P-D36