



Item no: 0205219

## Suction cup B110XP Polyurethane 60 ,thread insert G3/8" male

Suitable for uneven and porous surfaces such as cardboard, etc. DURAFLEX® suction cups are manufactured in a specially developed material that features the elasticity of rubber and wear resistance of polyurethane. The material of the DURAFLEX® is mark-free.

- Suitable for limited level adjustment with good stability.
- Excellent gripping performance on corrugated and porous or surface leaking objects such as cardboard, textured plastic parts and composite material (raw surface)
- In the two-coloured suction cup the bellows and the sealing lip are of different hardnesses, which makes the suction cup strong and stable for accelerations and speed, at the same time, soft and flexible.
- DURAFLEX® suction cups manufactured in a specially developed material that features the elasticity of rubber and wear resistance of polyurethane.
- The material DURAFLEX® is mark free.

### General

Application	DrySheetMetal, GlassHandling
Suction cup shape	Bellows
Material	Polyurethane (PU60)
Suction cup model	B-XP
Weight	140 g
Volume	123 cm <sup>3</sup>
Suction cup model	B110XP PU60
Movement, vertical max.	23.4 mm
Curve radius, min.	90 mm

### Fitting



Fitting option	None
Fitting size	3/8"
Fitting style	Male
Fitting type	G-thread

Dimension

Height	58.6 mm
Outer diameter	113 mm

---

Performance - lifting forces

	B110XP PU60		
20 -kPa		200 N	190 N
60 -kPa		440 N	380 N
90 -kPa		500 N	460 N

---

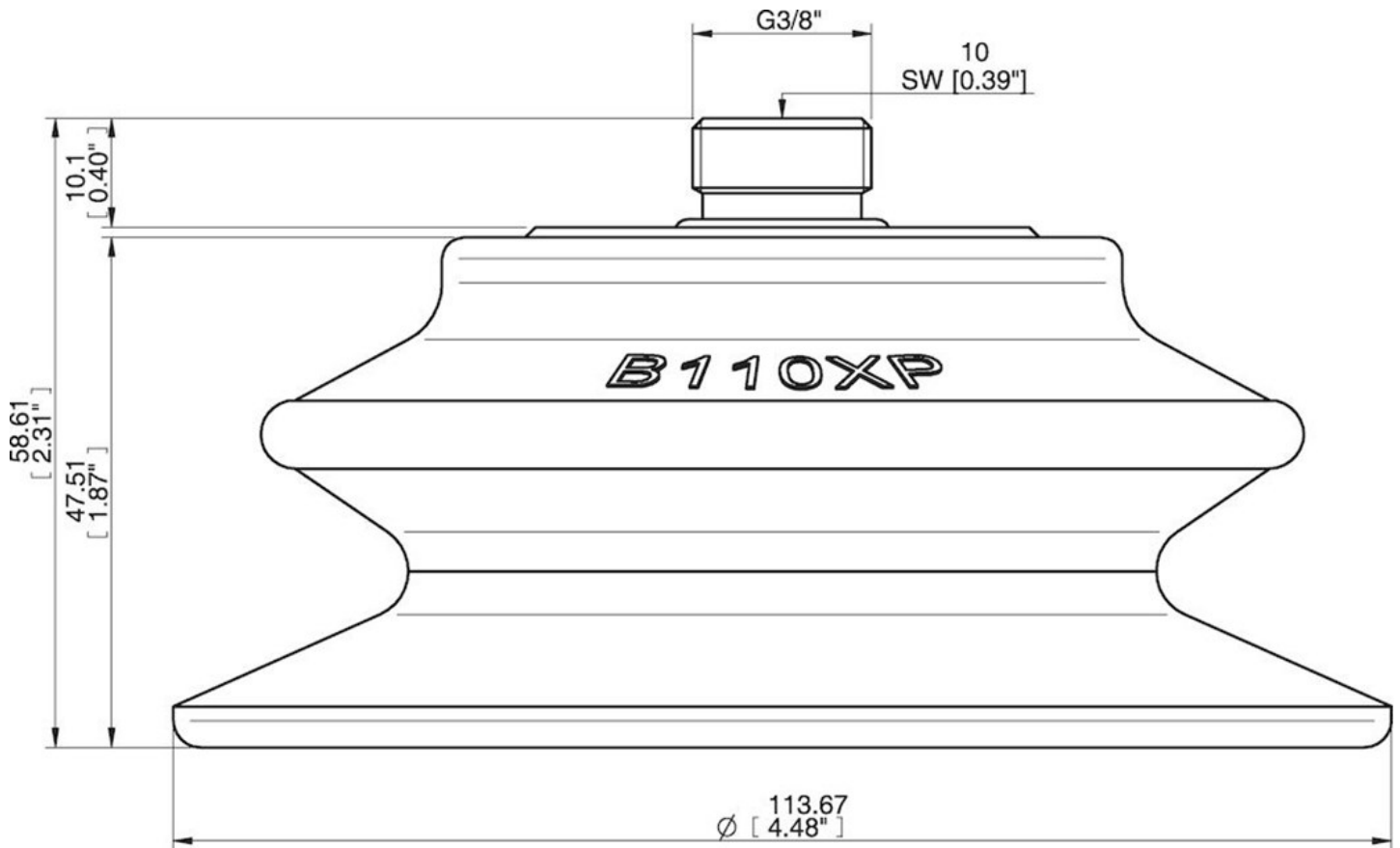
Material

Name	PU60
Colour	GreenTransparent
Temperature	10 - 50 °C
Hardness	60 °Shore A

---

	PU60
Alcohol	n/a
Concentrated acids	+
Ethanol	+
Hydrolysis	+
Methanol	-
Oil	+++
Oxidation	-
Petrol	+
Wear resistance	+++
Weather and ozone	+++

---



Values specified in the data sheet are tested at:

- Room temperature: (20°C [68°F] ± 3°C [5.5°F])
- Standard atmosphere: (101.3 [29.9 inHg] ± 1.0 kPa [0.3 inHg])
- Relative humidity: 0-100%
- Compressed air quality: DIN ISO 8573-1 class 4

Spare parts

0106797 | Thread insert G3/8" male, with O-ring

0205220 | Suction cup B110XP Polyurethane 60