



Item no: 0202102

## Suction cup VL60FC

Value Line suction cups are suitable for standard/basic applications. The program consists of flat-concave, bellows and long-bellows shapes. The suction cups show good performance at a value price. They have long thin lips for good sealing on slightly corrugated surfaces e.g. corrugated cardboard. The products... are available globally with off-the-shelf deliveries.

- Suitable for flat or slightly corrugated or curved surfaces
- Good stability and little inherent movement
- Recommended when the lifting force is parallel to the surface of the object
- Cleats prevent thin, sensitive objects from being deformed and gives extra friction when the lifting force is parallel
- Volume discounts available for big packs from 30-99 pieces with an even larger discount for big packs of 100 pieces and above
- PVC-free recyclable material

### General

Material	TPE-U
Suction cup model	FC
Suction cup shape	Flat Concave
Suction cup model	VL60FC TPE-U

### Fitting


Fitting option	None
Fitting size	None
Fitting style	None
Fitting type	None

Dimension

Height (B)	35.5 mm
Height 2 (D)	18 mm
Inner diameter (C)	12 mm
Outer diameter, min. (A)	60 mm

---

Performance - lifting forces

VL60FC TPE-U	
50 -kPa	79 N

---


Material

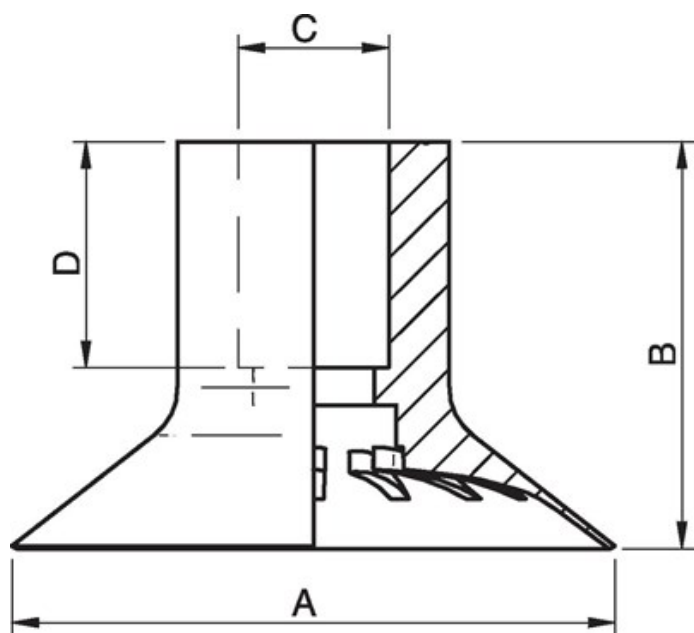
Name	TPEU
Colour	Purple
Temperature	0 - 60 °C
Hardness	65 °Shore A

---

	TPEU
Alcohol	n/a
Concentrated acids	n/a
Ethanol	n/a
Hydrolysis	n/a
Methanol	n/a
Oil	n/a
Oxidation	n/a
Petrol	n/a
Wear resistance	n/a
Weather and ozone	n/a

---

Dimensional drawings 



Accessories

0202159 | Fitting VL D=Ø12, G1/4" - G1/8"

0202165 | Fitting VL D=Ø12, G3/8" - G1/4"

0202163 | Fitting VL D=Ø12, 1/4"NPT - 1/8"NPSF

0202167 | Fitting VL D=Ø12, 3/8" NPT - 1/4" NPSF