



Item no: 0200444

## Suction cup D20-2 Silicone FCM

The material is approved by FDA (FDA 21 CFR 177.2600. ) and meets EU's regulation EU 1935/2004. The cup is transparent with no addition of pigments. Used for curved and irregular surfaces. Can lift even over corners and edges. Not suitable for use on flat surfaces.

- The silicone material complies with FDA 21 CFR 177.2600 & EU 1935/2004.
- Suitable for objects with curved or irregular surfaces.
- Grips around corners and edges.

### General

Application	Food contact materials (FDA & EU), non-detectable
Suction cup shape	Deep
Material	Silicone (SIL FDA)
Suction cup model	D
Weight	2.2 g
Volume	2.5 cm <sup>3</sup>
Suction cup model	D20-2
Movement, vertical max.	2.8 mm
Curve radius, min.	8 mm



### Fitting

Fitting option	None
Fitting size	None
Fitting style	None
Fitting type	None

### Dimension

Height	13.2 mm
Outer diameter	22 mm


Performance - lifting forces

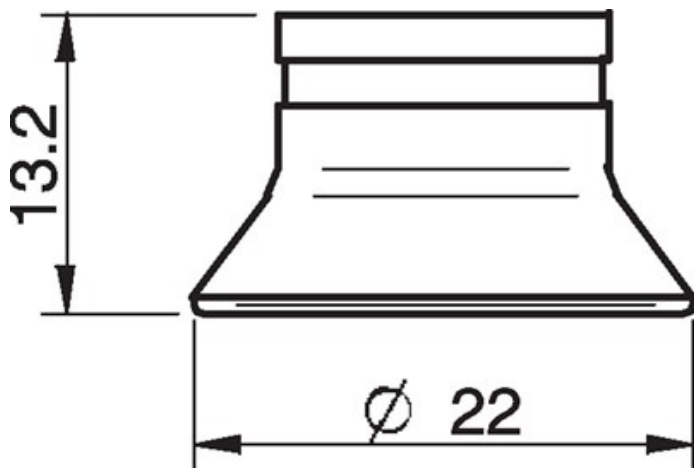
	D20-2		
20 -kPa		5.9 N	5 N
60 -kPa		15 N	8 N
90 -kPa		18 N	8.5 N

Material

Name	SILFDA
Colour	Transparent
Temperature	-40 - 200 °C
Hardness	50 °Shore A

	SILFDA
Alcohol	++
Concentrated acids	-
Ethanol	n/a
Hydrolysis	+
Methanol	n/a
Oil	-
Oxidation	+++
Petrol	-
Wear resistance	++
Weather and ozone	+++

Dimensional drawings 



Values specified in the data sheet are tested at:

- Room temperature: (20°C [68°F] ± 3°C [5.5°F])
- Standard atmosphere: (101.3 [29.9 inHg] ± 1.0 kPa [0.3 inHg])
- Relative humidity: 0-100%
- Compressed air quality: DIN ISO 8573-1 class 4

Accessories

3250085 | Fitting G1/8" male, with mesh filter

0101152 | Fitting G1/8" male/M5 female, with mesh filter