



Item no: 0106697

Suction cup OBL40x90P Polyurethane 60, with 3 reinforcement plates and load support

Suitable for long, narrow and bent surfaces, for example bottles, pipes or sharply bent sheet parts. DURAFLEX® suction cups are manufactured in a specially developed material that features the elasticity of rubber and wear resistance of polyurethane. The material is mark-free.

- Suitable for long, narrow and bent surfaces, for example bottles, pipes or sharply bent sheet parts.
- Reinforcement plates gives stability to the suction cup.
- DURAFLEX® suction cups manufactured in a specially developed material that features the elasticity of rubber and wear resistance of polyurethane. The material does not leave any marks on the objects handled.

General

Application	Mark Free
Suction cup shape	Oval Bellows
Material	Polyurethane (PU60)
Suction cup model	OBL
Weight	77 g
Volume	105 cm ³
Suction cup model	OBL40x90P PU60
Movement, vertical max.	31 mm
Curve radius, min.	28 mm



Fitting

Fitting option	None
Fitting size	None
Fitting style	None
Fitting type	None

Dimension

Height	63 mm
Outer diameter	92.6 mm

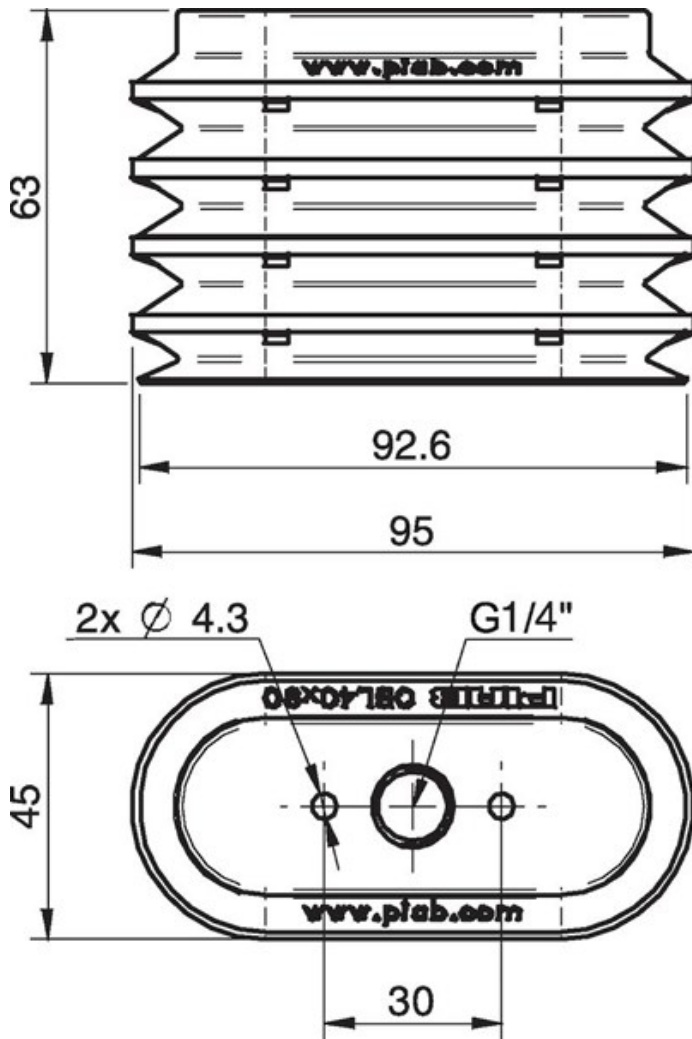
Performance - lifting forces

	OBL40x90P PU60		
20 -kPa		44 N	40 N
60 -kPa		105 N	87 N
90 -kPa		160 N	121 N

Material

Name	PU60
Colour	GreenTransparent
Temperature	10 - 50 °C
Hardness	60 °Shore A

	PU60
Alcohol	n/a
Concentrated acids	+
Ethanol	+
Hydrolysis	+
Methanol	-
Oil	+++
Oxidation	-
Petrol	+
Wear resistance	+++
Weather and ozone	+++



Values specified in the data sheet are tested at:

- Room temperature: (20°C [68° F] ± 3° C [5.5° F])
- Standard atmosphere: (101.3 [29.9 inHg] ± 1.0 kPa [0.3 inHg])
- Relative humidity: 0-100%
- Compressed air quality: DIN ISO 8573-1 class 4