



Item no: 0110248

### Vacuum switch VS4016, G1/8" male, 30 -kPa

Our line includes inductive universal, electro-mechanical and pneumatic vacuum switches that are pre-set or adjustable.

- Pre-set vacuum switch with digital output.
- Very low weight and small format, push-in or thread connections.
- PNP NO/NC or NPN NO/NC output functions.

#### General

|             |                     |
|-------------|---------------------|
| Material    | TPU, PA, SS, CUZNAU |
| Temperature | -25 - 85 °C         |
| Weight      | 5 g                 |

#### Electrical data

|  |                |
|--|----------------|
| Current, inductive, max.                     | 0.1 A          |
| Current, resistive, max.                     | 0.4 A          |
| Display                                      | LED indicator  |
| Safety classification                        | IP40           |
| Voltage                                      | 24 (12-30) VDC |
| Voltage drop, max (100mA/24V inductive load) | 0.055 VDC      |

#### Dimension

|        |         |
|--------|---------|
| Height | 21.5 mm |
| Length | 16 mm   |
| Width  | 16 mm   |

Performance

Feed pressure, max. (@ vacuum connection) 0.2 MPa

---

Signal function"


Hysteresis 5-7 kPa  
Signal range 27 - 35 -kPa

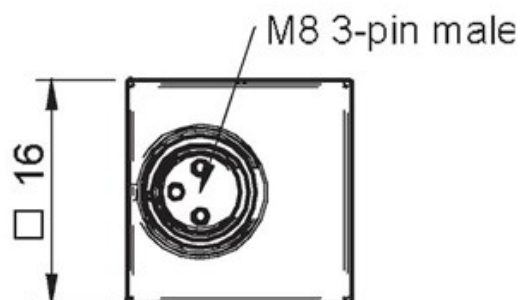
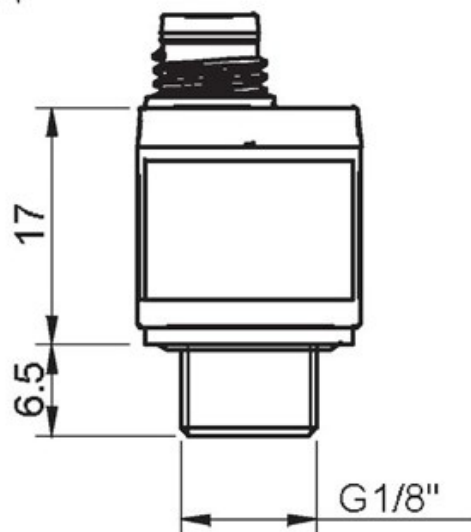
---

Pneumatic data

Valve function NO, NC

---

Dimensional drawings 



Accessories

0108141 | Cable M8 3-pin female L=2m