



Item no: 0106895

COAX® cartridge MINI Pi12-3

COAX® is an advanced solution for creating vacuum with compressed air. Based on Piab's multistage technology, COAX® cartridges are smaller, more efficient and more reliable than conventional ejectors, that allows for the design of a flexible, modular and efficient vacuum system. The two-stage COAX®... cartridge MICRO is probably the world's smallest multistage vacuum ejector. Its low weight makes it suitable to integrate close to the suction point in high speed pick-and-place applications of small objects. The two-stage COAX® cartridge MINI has small mounting dimensions and the three-stage COAX® cartridge MINI has high initial vacuum flow. The two-stage COAX® cartridge MIDI has small mounting dimensions and the three-stage COAX® cartridge MIDI has high initial vacuum flow. The MIDI cartridges are efficient generators of blow-air and are also suitable for fast evacuation of large volumes.

- Three-stage COAX® cartridge - MINI - with high initial vacuum flow.
- Vacuum level to 90 -kPa at low feed pressure.
- High system reliability in case of fluctuating or low feed pressure.
- Suitable for handling sealed objects with high pick-up speed.

General


Material PA, SS, AL, NBR
 Temperature -10 - 80 °C
 Weight 4.7 - 12.5 g

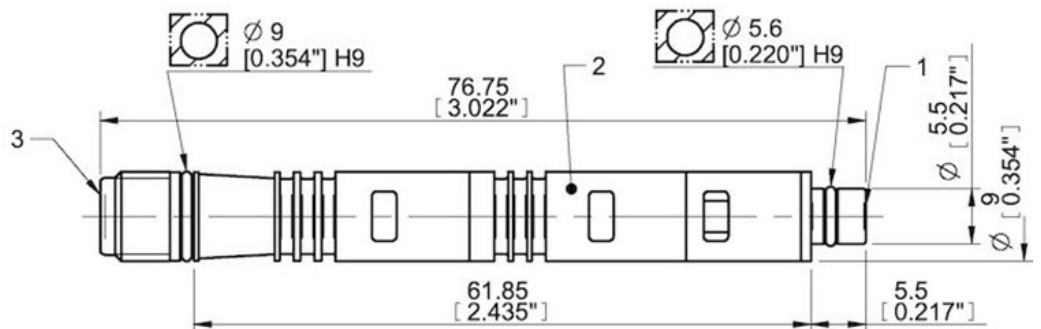
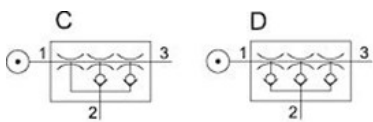
Performance

Feed pressure, max. 0.7 MPa

Feed pressure MPa	Air consumption NI/s	Vacuum flow (NI/s) at different vacuum levels (-kPa)										Max vacuum -kPa
		0	10	20	30	40	50	60	70	80	80	
MINI Pi12-3 0,17 - 0.17	0.29	0.9	0.4	0.22	0.15	0.07	0	0	0	0	0	49
MINI Pi12-3 0,22 - 0.22	0.34	1.1	0.48	0.29	0.2	0.14	0.08	0.02	0	0	0	64
MINI Pi12-3 0,32 - 0.32	0.44	1.4	0.6	0.44	0.27	0.19	0.14	0.1	0.06	0.03	0.03	90
MINI Pi12-3 0,40 - 0.4	0.53	1.4	0.7	0.52	0.39	0.24	0.12	0.1	0.06	0.02	0.02	84
MINI Pi12-3 0,6 - 0.6	0.79	1.6	1	0.5	0.41	0.36	0.28	0.17	0.05	0.01	0.01	0

Feed pressure MPa	Air consumption NI/s	Evacuation time (s/l) to reach different vacuum levels (-kPa)										Max vacuum -kPa
		10	20	30	40	50	60	70	80	90	90	
MINI Pi12-3 0,17 - 0.17	0.29	0.15	0.46	1	2	0	0	0	0	0	0	49
MINI Pi12-3 0,22 - 0.22	0.34	0.1	0.32	0.75	1.4	2.2	2.9	0	0	0	0	64
MINI Pi12-3 0,32 - 0.32	0.44	0.08	0.23	0.49	1	1.7	2.6	3.9	6.3	0	0	90
MINI Pi12-3 0,40 - 0.4	0.53	0.09	0.24	0.45	0.76	1.4	2.4	3.7	7	0	0	84
MINI Pi12-3 0,6 - 0.6	0.79	0	0	0	0	0	0	0	0	0	0	0

Dimensional drawings 



Accessories

0111977 | Silencer COAX® MINI

0106344 | Exhaust adapter