



Item no: 3116651

## Vacuum filter G1/2" (10 µm)

To filter dust and other small particles from the vacuum flow. Reduces the risk of operation breakdown or stoppage in the pump.

- To filter dust and other small particles from the vacuum flow.
- Reduces the risk of operation breakdown or stoppage in the pump.
- Replaceable filter element.
- Available with special filter element with increased filter area

General


Material	PA, PE, PP
Filter area	100 cm <sup>2</sup>
Removal efficiency	10 μm
Temperature	-20 - 80 °C
Weight	184 g

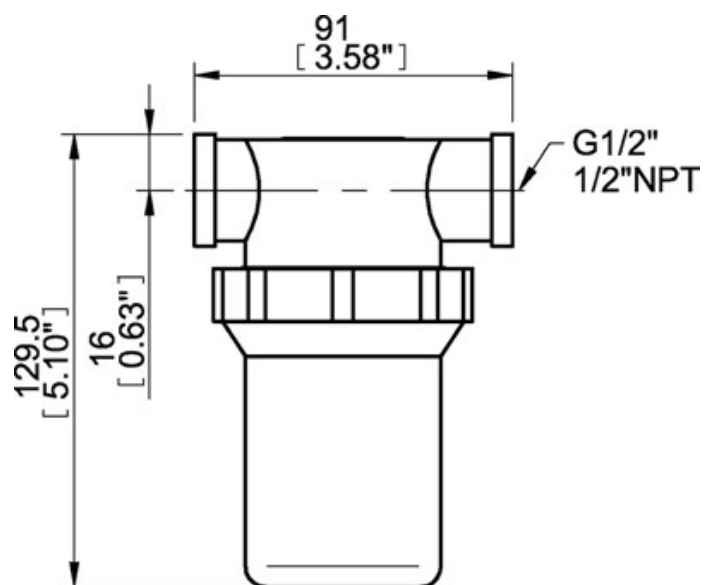
---

Pneumatic data

Flow (nominal)	15 NI/s
Pressure	-0.1 - 0 MPa
Volume, internal	195 cm <sup>3</sup>

---

Dimensional drawings 



Spare parts

0128423 | Filter element 1/2" & 3/4" (10 μm), 3 pcs