



Item no: 3116672

Vacuum filter G1" (10 µm)

To filter dust and other small particles from the vacuum flow. Reduces the risk of operation breakdown or stoppage in the pump.


- To filter dust and other small particles from the vacuum flow.
- Reduces the risk of operation breakdown or stoppage in the pump.
- Replaceable filter element.
- Available with special filter element with increased filter area

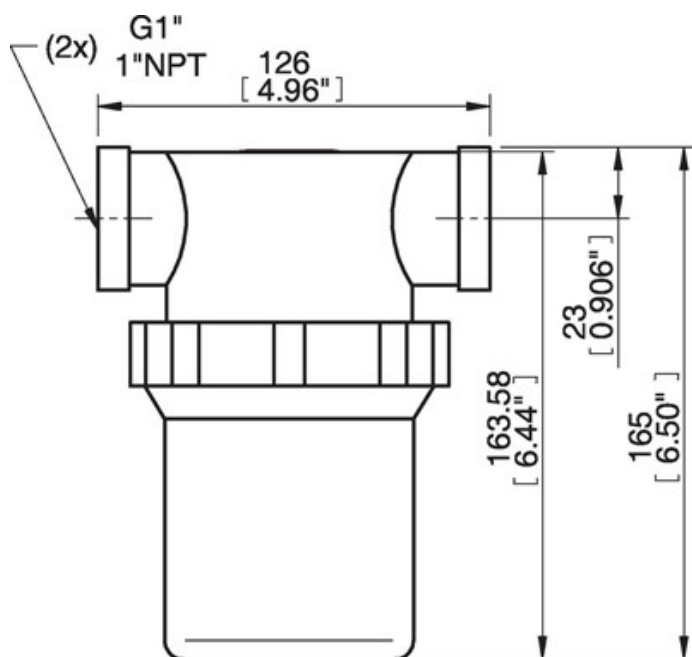
General

Material	PA, PE, PP
Filter area	190 cm ²
Removal efficiency	10 μm
Temperature	-20 - 80 °C
Weight	440 g

Pneumatic data

Flow (nominal)	42 NI/s
Pressure	-0.1 - 0 MPa
Volume, internal	495 cm ³

Dimensional drawings 



Spare parts

0128426 | Filter element 1" (10 μm), 3 pcs