



Item no: 0110287

## Suction cup BF110P Polyurethane 60, thread insert G3/8" male with mesh filter

Suitable for uneven and porous surfaces such as cardboard, etc. DURAFLEX® suction cups are manufactured in a specially developed material that features the elasticity of rubber and wear resistance of polyurethane. The material of the DURAFLEX® is mark-free.

- Suitable for uneven surfaces.
- In the two-coloured suction cup the bellows and the sealing lip are of different hardnesses, which makes the suction cup strong and stable and, at the same time, soft and flexible.
- DURAFLEX® suction cups manufactured in a specially developed material that features the elasticity of rubber and wear resistance of polyurethane.
- The material of the DURAFLEX® is mark free.

### General

Application	MarkFree, DrySheetMetal, GlassHandling
Suction cup shape	Bellows
Material	Polyurethane (PU60)
Suction cup model	BF-P
Weight	110 g
Volume	110 cm <sup>3</sup>
Suction cup model	BF110P PU60
Movement, vertical max.	27.4 mm
Curve radius, min.	70 mm

### Fitting

Fitting option	Filter mesh
Fitting size	3/8"
Fitting style	Male
Fitting type	G-thread

Dimension

Height	63 mm
Outer diameter, actuated	88.7 mm
Outer diameter	115.5 mm

---

Performance - lifting forces

	BF110P PU60	↑	↗
20 -kPa		161 N	123 N
60 -kPa		334 N	231 N
90 -kPa		293 N	305 N

---

Material

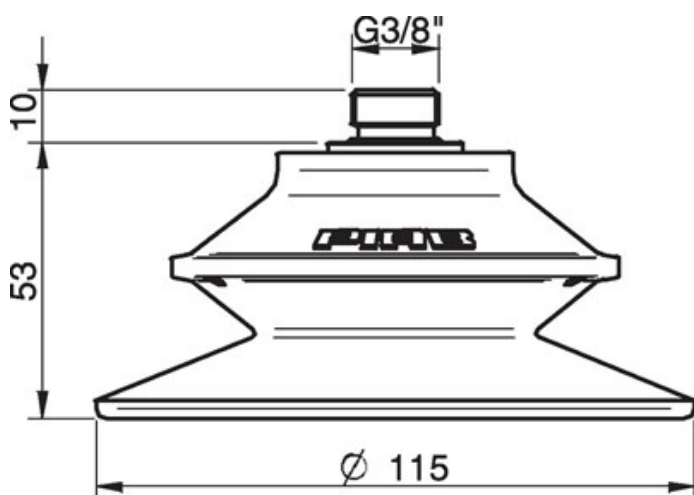
Name	PU60
Colour	GreenTransparent
Temperature	10 - 50 °C
Hardness	60 °Shore A

---

	PU60
Alcohol	n/a
Concentrated acids	+
Ethanol	+
Hydrolysis	+
Methanol	-
Oil	+++
Oxidation	-
Petrol	+
Wear resistance	+++
Weather and ozone	+++

---

Dimensional drawings ☰



Values specified in the data sheet are tested at:

- Room temperature: (20° C [68° F] ± 3° C [5.5° F])
  - Standard atmosphere: (101.3 [29.9 inHg] ± 1.0 kPa [0.3 inHg])
  - Relative humidity: 0-100%
  - Compressed air quality: DIN ISO 8573-1 class 4
- 

#### Spare parts

0107148 | Thread insert G3/8" male, with O-ring and mesh filter

0110286 | Suction cup BF110P Polyurethane 60, with O-ring