



Item no: 0107327

## Suction cup BF80P Polyurethane 60, G3/8" male with mesh filter

Suitable for uneven and porous surfaces such as cardboard, etc. DURAFLEX® suction cups are manufactured in a specially developed material that features the elasticity of rubber and wear resistance of polyurethane. The material of the DURAFLEX® is mark-free.

- Suitable for uneven surfaces.
- In the two-coloured suction cup the bellows and the sealing lip are of different hardnesses, which makes the suction cup strong and stable and, at the same time, soft and flexible.
- DURAFLEX® suction cups manufactured in a specially developed material that features the elasticity of rubber and wear resistance of polyurethane.
- The material of the DURAFLEX® is mark free.

### General

Application	MarkFree, DrySheetMetal, GlassHandling
Suction cup shape	Bellows
Material	Polyurethane (PU60)
Suction cup model	BF-P
Weight	53 g
Volume	40 cm <sup>3</sup>
Suction cup model	BF80P PU60
Movement, vertical max.	15.6 mm
Curve radius, min.	50 mm



### Fitting

Fitting option	Filter mesh
Fitting size	3/8"
Fitting style	Male
Fitting type	G-thread

## Dimension

Height	46.5 mm
Outer diameter, actuated	61.1 mm
Outer diameter	83.1 mm

## Performance - lifting forces

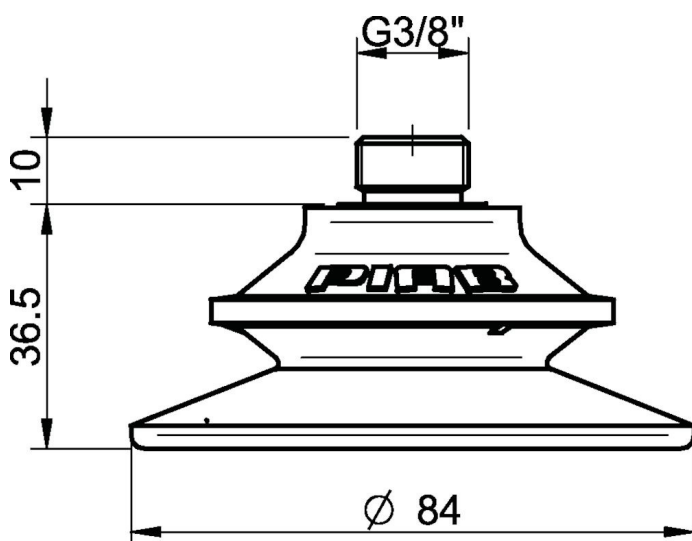
	BF80P PU60		
20 -kPa		98 N	68 N
60 -kPa		225 N	127 N
90 -kPa		294 N	166 N

## Material

Name	PU60
Colour	GreenTransparent
Temperature	10 - 50 °C
Hardness	60 °Shore A

	PU60
Alcohol	n/a
Concentrated acids	+
Ethanol	+
Hydrolysis	+
Methanol	-
Oil	+++
Oxidation	-
Petrol	+
Wear resistance	+++
Weather and ozone	+++

## Dimensional drawings



Values specified in the data sheet are tested at:

- Room temperature: (20° C [68° F] ± 3° C [5.5° F])
  - Standard atmosphere: (101.3 [29.9 inHg] ± 1.0 kPa [0.3 inHg])
  - Relative humidity: 0-100%
  - Compressed air quality: DIN ISO 8573-1 class 4
-