



Item no: 0106740

### Suction cup BX52P Polyurethane 30/60 with filter, G3/8" male, with mesh filter

Suitable for uneven and porous surfaces such as cardboard, etc. DURAFLEX® suction cups are manufactured in a specially developed material that features the elasticity of rubber and wear resistance of polyurethane. The material of the DURAFLEX® is mark-free.

- Suitable for level adjustment and for uneven and porous surfaces such as cardboard, etc.
- In the two-coloured suction cup the bellows and the sealing lip are of different hardnesses, which makes the suction cup strong and stable and, at the same time, soft and flexible.
- DURAFLEX® suction cups manufactured in a specially developed material that features the elasticity of rubber and wear resistance of polyurethane.
- The material DURAFLEX® is mark free.

#### General

Application	CorrugatedCardboard, MarkFree, PlasticInjectionMoldedParts, DrySheetMetal
Suction cup shape	Multibellows
Material	PU30, PU60
Suction cup model	BX-P
Weight	24 g
Volume	30 cm <sup>3</sup>
Suction cup model	BX52P PU30 PU60
Movement, vertical max.	19 mm
Curve radius, min.	32 mm

#### Fitting

Fitting option	FD, FM
Fitting size	3/8"
Fitting style	Male
Fitting type	G-thread

Dimension

Height	55 mm
Outer diameter	53 mm

---

Performance - lifting forces

	BX52P	PU30	PU60	↑	→
20 -kPa				32 N	25 N
60 -kPa				56 N	44 N
90 -kPa				75 N	54 N

---

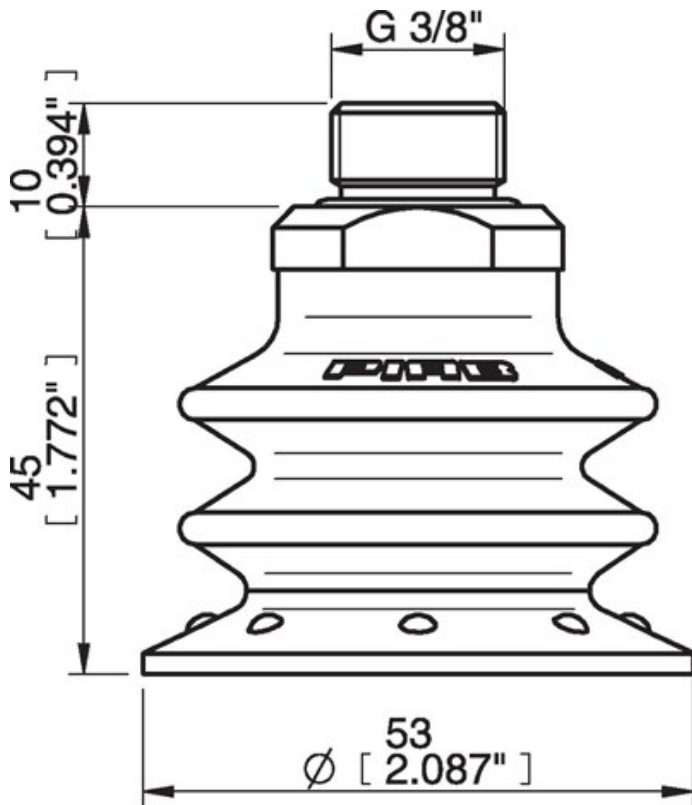
Material

Name	PU30	PU60
Colour	Yellow	GreenTransparent
Temperature	10 - 50 °C	10 - 50 °C
Hardness	30 °Shore A	60 °Shore A

---

	PU30	PU60
Alcohol	n/a	n/a
Concentrated acids	+	+
Ethanol	+	+
Hydrolysis	+	+
Methanol	-	-
Oil	+++	+++
Oxidation	-	-
Petrol	+	+
Wear resistance	+++	+++
Weather and ozone	+++	+++

---



Values specified in the data sheet are tested at:

- Room temperature:  $(20^{\circ}\text{C}$  [68° F]  $\pm$   $3^{\circ}\text{C}$  [5.5° F])
- Standard atmosphere:  $(101.3$  [29.9 inHg]  $\pm$   $1.0$  kPa [0.3 inHg])
- Relative humidity: 0-100%
- Compressed air quality: DIN ISO 8573-1 class 4

## Accessories

- 3251014 | Fitting 1/4" NPT male, with dual flow control valve
- 3250094 | Fitting 1/4" NPT male, with mesh filter
- 3250017 | Fitting 1/8" NPSF female, 50
- 3251012 | Fitting 1/8" NPSF female, 50, with dual flow control valve
- 0101154 | Fitting 1/8" NPSF female, 50, with mesh filter
- 3251016 | Fitting 3/8" NPT male, with dual flow control valve
- 3250090 | Fitting 3/8" NPT male, with mesh filter
- 0100262 | Fitting 5x1/8" NPSF female, 50
- 3251017 | Fitting 5x1/8" NPSF female, 50, with dual flow control valve
- 3250092 | Fitting G1/4" male, 50, with mesh filter
- 3251013 | Fitting G1/4" male, with mesh filter and dual flow control valve
- 0200715 | Fitting G1/8" male, 50, with mesh filter
- 3251015 | Fitting G3/8" male, 50, with mesh filter and dual flow control valve
- 0104529 | Suction cup BX52P Polyurethane 30/60
- 0107381 | Suction cup BX52P Polyurethane 60
- 0108039 | Suction cup BX52P Polyurethane 60, with filter

## Spare parts

- 3250087 | Fitting G3/8" male, 50, with mesh filter
- 0104729 | Suction cup BX52P Polyurethane 30/60, with filter
- 0201002 | Suction cup filter BX52P, 10 pcs