



Item no: 0107151

### Suction cup BX75P Polyurethane 30/60 with filter, thread insert G3/8" male

Suitable for uneven and porous surfaces such as cardboard, etc. DURAFLEX® suction cups are manufactured in a specially developed material that features the elasticity of rubber and wear resistance of polyurethane. The material of the DURAFLEX® is mark-free.

- Suitable for level adjustment and for uneven and porous surfaces such as cardboard, etc.
- In the two-coloured suction cup the bellows and the sealing lip are of different hardnesses, which makes the suction cup strong and stable and, at the same time, soft and flexible.
- DURAFLEX® suction cups manufactured in a specially developed material that features the elasticity of rubber and wear resistance of polyurethane.
- The material DURAFLEX® is mark free.

#### General

Application	CorrugatedCardboard, MarkFree, PlasticInjectionMoldedParts, DrySheetMetal
Suction cup shape	Multibellows
Material	PU30, PU60
Suction cup model	BX-P
Weight	71 g
Volume	80 cm <sup>3</sup>
Suction cup model	BX75P PU30 PU60
Movement, vertical max.	26 mm
Curve radius, min.	23 mm

#### Fitting

Fitting option	Filter
Fitting size	3/8"
Fitting style	Male
Fitting type	G-thread

Dimension

Height	61.7 mm
Outer diameter	77.5 mm


Performance - lifting forces

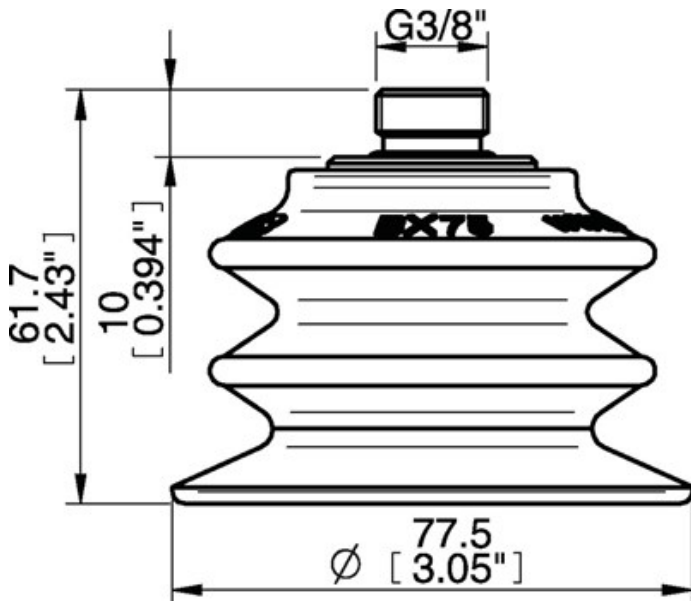
	BX75P	PU30	PU60
20 -kPa		↑ 62 N	↘ 39 N
60 -kPa		↑ 110 N	↘ 83 N
90 -kPa		↑ 141 N	↘ 116 N

Material

Name	PU30	PU60
Colour	Yellow	GreenTransparent
Temperature	10 - 50 °C	10 - 50 °C
Hardness	30 °Shore A	60 °Shore A

	PU30	PU60
Alcohol	n/a	n/a
Concentrated acids	+	+
Ethanol	+	+
Hydrolysis	+	+
Methanol	-	-
Oil	+++	+++
Oxidation	-	-
Petrol	+	+
Wear resistance	+++	+++
Weather and ozone	+++	+++

Dimensional drawings 



Values specified in the data sheet are tested at:

- Room temperature: (20°C [68°F] ± 3°C [5.5°F])
  - Standard atmosphere: (101.3 [29.9 inHg] ± 1.0 kPa [0.3 inHg])
  - Relative humidity: 0-100%
  - Compressed air quality: DIN ISO 8573-1 class 4
- 

#### Accessories

0200716 | Thread insert G1/8" male, with O-ring and mesh filter

0201077 | Thread insert G1/4" male, with O-ring and mesh filter

0107150 | Suction cup BX75P Polyurethane 60 with filter, for thread insert

#### Spare parts

0106797 | Thread insert G3/8" male, with O-ring

0107145 | Suction cup BX75P Polyurethane 30/60 with filter, for thread insert

0201003 | Suction cup filter BX75P, 10 pcs