



Item no: 0106836

Suction cup FC100P Polyurethane 40, thread insert G3/8" male, with mesh filter

DURAFLEX® suction cups have been developed to meet the strict demands of the automotive industry. A typical application is the feeding of sheet metal into a press tool. The slightly curved shape and internal cleats provide a good grip and the strengthened lip extends the life of the cup considerably. Also availab... in oval shape for oblong objects.

- Suitable for slightly domed and flat and oily surfaces, e.g., such as those encountered when handling steel sheets in press processes.
- Thanks to the high friction of the rubber material, the suction cups can withstand high forces at rapid accelerations in horizontal directions, even on oily surfaces.
- The suction cups have cleats that prevent thin objects from being disfigured.
- DURAFLEX® suction cups manufactured in a specially developed material that features the elasticity of rubber and wear resistance of polyurethane. The material does not leave any marks on the objects handled.

General

Application	MarkFree, DrySheetMetal
Suction cup shape	Flat Concave
Material	Polyurethane (PU40)
Suction cup model	FC
Weight	64 g
Volume	80 cm ³
Suction cup model	FC100P PU40
Movement, vertical max.	10.2 mm
Curve radius, min.	110 mm



Fitting

Fitting option	Filter mesh
Fitting size	3/8"
Fitting style	Male
Fitting type	G-thread

Dimension

Height	38.5 mm
Outer diameter	100 mm

Performance - lifting forces

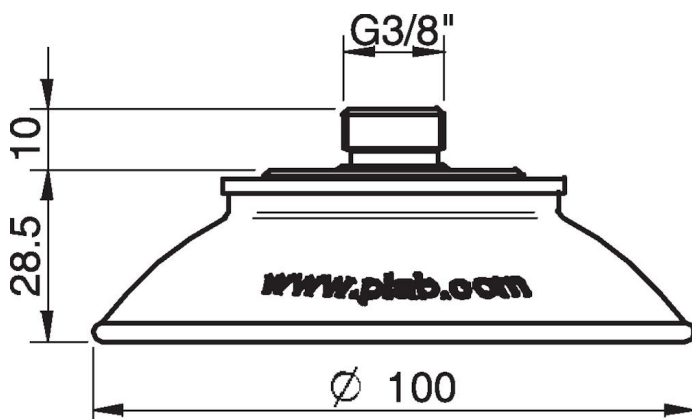
	FC100P PU40		
20 -kPa		137 N	176 N
60 -kPa		284 N	318 N
90 -kPa		377 N	420 N

Material

Name	PU40
Colour	RedTransparent
Temperature	10 - 50 °C
Hardness	40 °Shore A

	PU40
Alcohol	n/a
Concentrated acids	+
Ethanol	+
Hydrolysis	+
Methanol	-
Oil	+++
Oxidation	-
Petrol	+
Wear resistance	+++
Weather and ozone	+++

Dimensional drawings



Values specified in the data sheet are tested at:

- Room temperature: (20° C [68° F] ± 3° C [5.5° F])
 - Standard atmosphere: (101.3 [29.9 inHg] ± 1.0 kPa [0.3 inHg])
 - Relative humidity: 0-100%
 - Compressed air quality: DIN ISO 8573-1 class 4
-

Accessories

- 0103297 | Suction cup FC100P Polyurethane 40
- 0103299 | Suction cup FC100P Polyurethane 60
- 0107304 | Suction cup FC100P Polyurethane 60, for tread insert
- 0100548 | Fitting 75, 1/8" NPSF female, with mesh filter
- 0100553 | Fitting 75, 3/8" NPSF female, with mesh filter

Spare parts

- 0106835 | Suction cup FC100P Polyurethane 40, for tread insert
- 0107148 | Thread insert G3/8" male, with O-ring and mesh filter