



Item no: 0107323

Suction cup F110P Polyurethane 60, thread insert G3/8", with mesh filter

Suitable for flat and rough surfaces. The cleats stop deformation by preventing suction of the object into the cup. The suction cup has good stability and very little movement. Also suitable when the lifting force is parallel to the surface as the cleats increase friction. DURAFLEX® are suction cups manufactured in a... specially developed material that features the elasticity of rubber and wear resistance of polyurethane. The material is mark-free.

- Suitable for flat and rough surfaces.
- Fair stability and little inherent movement.
- Recommended when the lifting force is parallel to the surface of the object.
- In the two-coloured suction cup the bellows and the sealing lip are of different hardnesses, which makes the suction cup strong and stable and, at the same time, soft and flexible.
- DURAFLEX® suction cups manufactured in a specially developed material that features the elasticity of rubber and wear resistance of polyurethane. The material does not leave any marks on the objects handled.

General

Application	MarkFree, DrySheetMetal
Suction cup shape	Flat
Material	Polyurethane (PU60)
Suction cup model	F
Weight	133 g
Volume	60 cm ³
Suction cup model	F110P PU60
Movement, vertical max.	4 mm
Curve radius, min.	250 mm



Fitting

Fitting option	Filter mesh
Fitting size	3/8"
Fitting style	Male
Fitting type	G-thread

Dimension

Height	30.5 mm
Outer diameter, actuated	119.6 mm
Outer diameter	115 mm


Performance - lifting forces

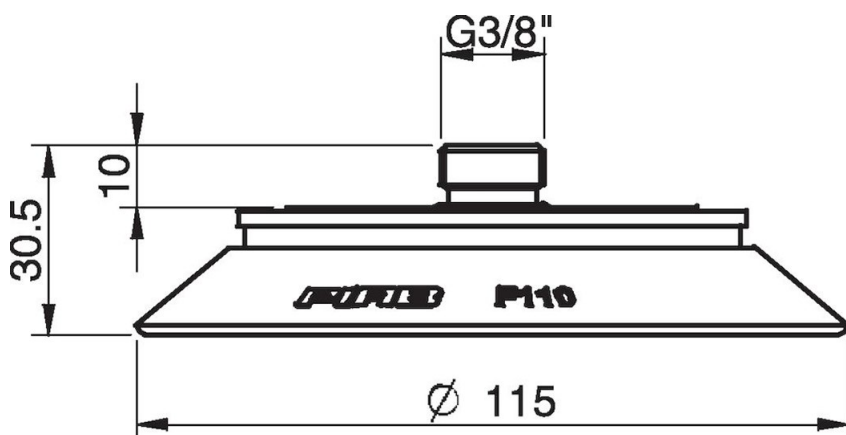
	F110P PU60		
20 -kPa		191 N	297 N
60 -kPa		498 N	523 N
90 -kPa		705 N	664 N

Material

Name	PU60
Colour	GreenTransparent
Temperature	10 - 50 °C
Hardness	60 °Shore A

	PU60
Alcohol	n/a
Concentrated acids	+
Ethanol	+
Hydrolysis	+
Methanol	-
Oil	+++
Oxidation	-
Petrol	+
Wear resistance	+++
Weather and ozone	+++

Dimensional drawings 



Values specified in the data sheet are tested at:

- Room temperature: (20° C [68° F] ± 3° C [5.5° F])
 - Standard atmosphere: (101.3 [29.9 inHg] ± 1.0 kPa [0.3 inHg])
 - Relative humidity: 0-100%
 - Compressed air quality: DIN ISO 8573-1 class 4
-

Accessories

- 0104725 | Suction cup F110P Polyurethane 30/60
- 0111593 | Suction cup F110P Polyurethane 60
- 0106796 | Suction cup F110P Polyurethane 30/60, for thread insert
- 0100557 | Fitting 110 G3/8" female, with mesh filter
- 0100559 | Fitting 110, 3/8" NPSF female, with mesh filter
- 0100561 | Fitting 110, G1/2" female, with mesh filter
- 0100563 | Fitting 110, G1/2" female, with cone valve

Spare parts

- 0107322 | Suction cup F110P Polyurethane 60, for thread insert
- 0107148 | Thread insert G3/8" male, with O-ring and mesh filter