



Item no: 0107321

Suction cup F75P Polyurethane 60, thread insert G3/8" male, with mesh filter

Suitable for flat and rough surfaces. The cleats stop deformation by preventing suction of the object into the cup. The suction cup has good stability and very little movement. Also suitable when the lifting force is parallel to the surface as the cleats increase friction. DURAFLEX® are suction cups manufactured in a... specially developed material that features the elasticity of rubber and wear resistance of polyurethane. The material is mark-free.

- Suitable for flat and rough surfaces.
- Fair stability and little inherent movement.
- Recommended when the lifting force is parallel to the surface of the object.
- In the two-coloured suction cup the bellows and the sealing lip are of different hardnesses, which makes the suction cup strong and stable and, at the same time, soft and flexible.
- DURAFLEX® suction cups manufactured in a specially developed material that features the elasticity of rubber and wear resistance of polyurethane. The material does not leave any marks on the objects handled.

General

Application	MarkFree, DrySheetMetal
Suction cup shape	Flat
Material	Polyurethane (PU60)
Suction cup model	F
Weight	53 g
Volume	19 cm ³
Suction cup model	F75P PU60
Movement, vertical max.	2 mm
Curve radius, min.	150 mm

Fitting

Fitting option	Filter mesh
Fitting size	3/8"
Fitting style	Male
Fitting type	G-thread

Dimension

Height	24.5 mm
Outer diameter, actuated	80 mm
Outer diameter	77 mm

Performance - lifting forces

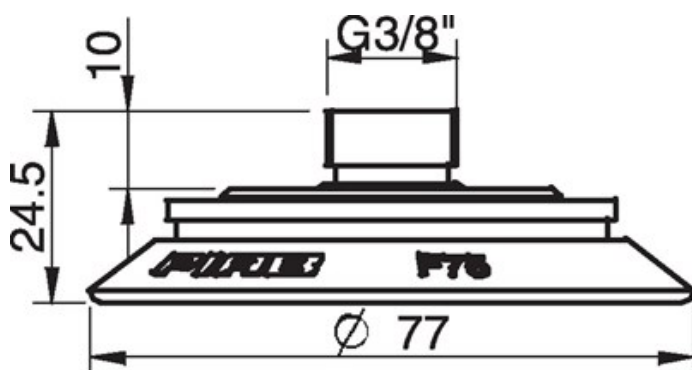
	F75P PU60	↕	↕
20 -kPa		82 N	47 N
60 -kPa		231 N	113 N
90 -kPa		330 N	169 N

Material

Name	PU60
Colour	GreenTransparent
Temperature	10 - 50 °C
Hardness	60 °Shore A

	PU60
Alcohol	n/a
Concentrated acids	+
Ethanol	+
Hydrolysis	+
Methanol	-
Oil	+++
Oxidation	-
Petrol	+
Wear resistance	+++
Weather and ozone	+++

Dimensional drawings



Values specified in the data sheet are tested at:

- Room temperature: (20° C [68° F] ± 3° C [5.5° F])
 - Standard atmosphere: (101.3 [29.9 inHg] ± 1.0 kPa [0.3 inHg])
 - Relative humidity: 0-100%
 - Compressed air quality: DIN ISO 8573-1 class 4
-

Accessories

0107148 | Thread insert G3/8" male, with O-ring and mesh filter

0111584 | Suction cup F75P Polyurethane 60

0106829 | Suction cup F75P Polyurethane 30/60, for thread insert

0104724 | Suction cup F75P Polyurethane 30/60

0100555 | Fitting 75, G1/2" female, with mesh filter

Spare parts

0107320 | Suction cup F75P Polyurethane 60, for thread insert

0100729 | Cone Valve for Fitting 75