

Item no: 0106353

Suction cup F110P Polyurethane 30/60, G3/8" female, with mesh filter

Suitable for flat and rough surfaces. The cleats stop deformation by preventing suction of the object into the cup. The suction cup has good stability and very little movement. Also suitable when the lifting force is parallel to the surface as the cleats increase friction. DURAFLEX® are suction cups manufactured in a... specially developed material that features the elasticity of rubber and wear resistance of polyurethane. The material is mark-free.

- Suitable for flat and rough surfaces.
- Fair stability and little inherent movement.
- Recommended when the lifting force is parallel to the surface of the object.
- In the two-coloured suction cup the bellows and the sealing lip are of different hardnesses, which makes the suction cup strong and stable and, at the same time, soft and flexible.
- DURAFLEX® suction cups manufactured in a specially developed material that features the elasticity of rubber and wear resistance of polyurethane. The material does not leave any marks on the objects handled.

General

| | |
|-------------------------|-------------------------|
| Application | MarkFree, DrySheetMetal |
| Suction cup shape | Flat |
| Material | PU30, PU60 |
| Suction cup model | F |
| Weight | 82 g |
| Volume | 60 cm ³ |
| Suction cup model | F110P PU30 PU60 |
| Movement, vertical max. | 4 mm |
| Curve radius, min. | 250 mm |

Fitting

| | |
|----------------|-------------|
| Fitting option | Filter mesh |
| Fitting size | 3/8" |
| Fitting style | Female |
| Fitting type | G-thread |

Dimension

| | |
|--------------------------|----------|
| Height | 36 mm |
| Outer diameter, actuated | 119.6 mm |
| Outer diameter | 115 mm |

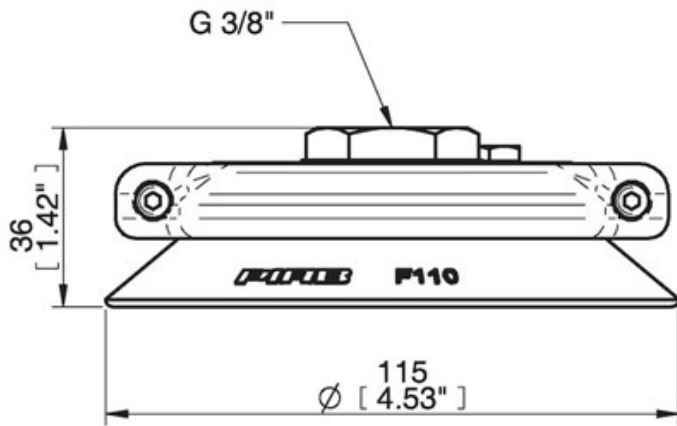
Performance - lifting forces

| | F110P | PU30 | PU60 | |
|---------|-------|-------|------|-------|
| 20 -kPa | | ↑ | | ↑ |
| | | 167 N | | 149 N |
| 60 -kPa | | 432 N | | 441 N |
| 90 -kPa | | 591 N | | 617 N |

Material

| Name | PU30 | PU60 |
|-------------|-------------|------------------|
| Colour | Yellow | GreenTransparent |
| Temperature | 10 - 50 °C | 10 - 50 °C |
| Hardness | 30 °Shore A | 60 °Shore A |

| | PU30 | PU60 |
|--------------------|------|------|
| Alcohol | n/a | n/a |
| Concentrated acids | + | + |
| Ethanol | + | + |
| Hydrolysis | + | + |
| Methanol | - | - |
| Oil | +++ | +++ |
| Oxidation | - | - |
| Petrol | + | + |
| Wear resistance | +++ | +++ |
| Weather and ozone | +++ | +++ |



Values specified in the data sheet are tested at:

- Room temperature: (20°C [68°F] ± 3°C [5.5°F])
- Standard atmosphere: (101.3 [29.9 inHg] ± 1.0 kPa [0.3 inHg])
- Relative humidity: 0-100%
- Compressed air quality: DIN ISO 8573-1 class 4

Accessories

- 0111593 | Suction cup F110P Polyurethane 60
- 0106796 | Suction cup F110P Polyurethane 30/60, for thread insert
- 0107322 | Suction cup F110P Polyurethane 60, for thread insert
- 0100559 | Fitting 110, 3/8" NPSF female, with mesh filter
- 0100561 | Fitting 110, G1/2" female, with mesh filter
- 0100563 | Fitting 110, G1/2" female, with cone valve
- 0107148 | Thread insert G3/8" male, with O-ring and mesh filter

Spare parts

- 0104725 | Suction cup F110P Polyurethane 30/60
- 0100557 | Fitting 110 G3/8" female, with mesh filter