

Suction cup FC150P Polyurethane 40, G1/2" female, with mesh filter, 0103755



- Suitable for slightly domed and flat and oily surfaces, e.g., such as those encountered when handling steel sheets in press processes.
- Thanks to the high friction of the rubber material, the suction cups can withstand high forces at rapid accelerations in horizontal directions, even on oily surfaces.
- The suction cups have cleats that prevent thin objects from being disfigured.
- DURAFLEX® suction cups manufactured in a specially developed material that features the elasticity of rubber and wear resistance of polyurethane. The material does not leave any marks on the objects handled.

General

Curve radius	165 mm
Movement, vertical max.	14.2 mm
Application	Mark Free, Dry sheet metal
Material	Polyurethane (PU40)
Suction cup model	FC
Suction cup shape	Flat Concave
Volume	250 cm ³
Weight	213 g

Fitting

Fitting size	1/2"
Fitting style	Female
Fitting type	G-thread
Fitting option	Filter mesh

Dimension

Height	56.5 mm
Outer diameter	150 mm

Performance — lifting forces

		
20 -kPa	274 N	343 N
60 -kPa	647 N	765 N
90 -kPa	922 N	902 N

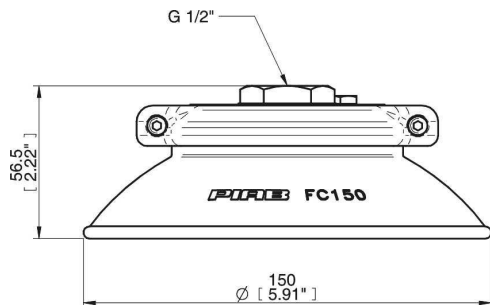
Material

	Polyurethane (PU40)
Colour	Red transparent
Hardness	40 °Shore A
Temperature	10 – 50 °C

Material resistance

	Polyurethane (PU40)
Alcohol	N/A
Concentrated acids	+
Ethanol	+
Hydrolysis	+
Methanol	-
Oil	+++
Oxidation	-
Petrol	+
Wear resistance	+++
Weather and ozone	+++

Dimensional drawings



Values specified in the data sheet are tested at:

Room temperature	(20°C [68°F] ± 3°C [5.5°F])
Standard atmosphere	(101.3 [29.9 inHg] ± 1.0 kPa [0.3 inHg])
Relative humidity	0-100%
Compressed air quality	DIN ISO 8573-1 class 4

Spare parts

	Item no.
Suction cup FC150P Polyurethane 40	0101946
Fitting 110, G1/2" female, with mesh filter	0100561

Accessories

	Item no.
Fitting 110 G3/8" female, with mesh filter	0100557
Fitting 110, 3/8" NPSF female, with mesh filter	0100559