

Suction cup BX52P Polyurethane 30/60 with filter, 1/8" NPSF female, 0104727



- Suitable for level adjustment and for uneven and porous surfaces such as cardboard, etc.
- In the two-coloured suction cup the bellows and the sealing lip are of different hardnesses, which makes the suction cup strong and stable and, at the same time, soft and flexible.
- DURAFLEX® suction cups manufactured in a specially developed material that features the elasticity of rubber and wear resistance of polyurethane.
- The material DURAFLEX® is mark free.

General

Curve radius	32 mm
Movement, vertical max.	19 mm
Application	Mark Free, Plastic injection molded parts, Dry sheet metal, Corrugated / cardboard
Material	Polyurethane (PU30), Polyurethane (PU60)
Suction cup model	BX-P
Suction cup shape	Multibellows
Volume	30 cm ³
Weight	24 g

Fitting

Fitting size	1/8"
Fitting style	Female
Fitting type	NPSF-thread
Fitting option	Filter disc

Dimension

Height	48 mm
Outer diameter	53 mm

Performance — lifting forces

		
20 -kPa	32 N	25 N
60 -kPa	56 N	44 N
90 -kPa	75 N	54 N

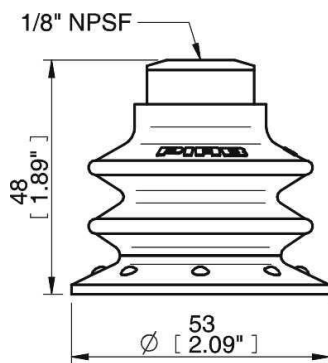
Material

	Polyurethane (PU30)	Polyurethane (PU60)
Colour	Yellow	Green transparent
Hardness	30 °Shore A	60 °Shore A
Temperature	10 – 50 °C	10 – 50 °C

Material resistance

	Polyurethane (PU30)	Polyurethane (PU60)
Alcohol	N/A	N/A
Concentrated acids	+	+
Ethanol	+	+
Hydrolysis	+	+
Methanol	-	-
Oil	+++	+++
Oxidation	-	-
Petrol	+	+
Wear resistance	+++	+++
Weather and ozone	+++	+++

Dimensional drawings



Values specified in the data sheet are tested at:

Room temperature	(20°C [68°F] ± 3°C [5.5°F])
Standard atmosphere	(101.3 [29.9 inHg] ± 1.0 kPa [0.3 inHg])
Relative humidity	0-100%
Compressed air quality	DIN ISO 8573-1 class 4

Spare parts

	Item no.
Fitting 1/8" NPSF female, 50	3250017
Suction cup BX52P Polyurethane 30/60, with filter	0104729
Suction cup filter BX52P, 10 pcs	0201002

Accessories

	Item no.
Fitting 1/4" NPT male, with dual flow control valve	3251014
Fitting 1/4" NPT male, with mesh filter	3250094
Fitting 1/8" NPSF female, 50, with dual flow control valve	3251012
Fitting 1/8" NPSF female, 50, with mesh filter	0101154
Fitting 3/8" NPT male, with dual flow control valve	3251016
Fitting 3/8" NPT male, with mesh filter	3250090
Fitting 5x1/8" NPSF female, 50	0100262
Fitting 5x1/8" NPSF female, 50, with dual flow control valve	3251017
Fitting G1/4" male, 50, with mesh filter	3250092
Fitting G1/4" male, with mesh filter and dual flow control valve	3251013
Fitting G1/8" male, 50, with mesh filter	0200715
Fitting G3/8" male, 50, with mesh filter	3250087
Fitting G3/8" male, 50, with mesh filter and dual flow control valve	3251015
Suction cup BX52P Polyurethane 30/60	0104529
Suction cup BX52P Polyurethane 60	0107381
Suction cup BX52P Polyurethane 60, with filter	0108039