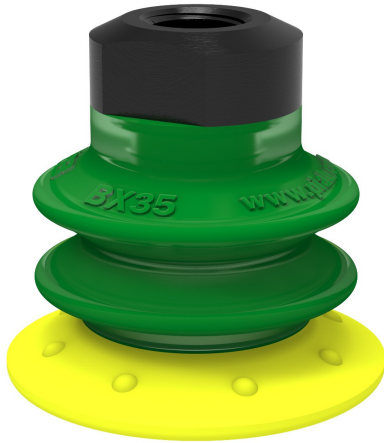


Suction cup BX35P Polyurethane 30/60 with filter, 1/8" NPSF female, 0106604



- Suitable for level adjustment and for uneven and porous surfaces such as cardboard, etc.
- In the two-coloured suction cup the bellows and the sealing lip are of different hardnesses, which makes the suction cup strong and stable and, at the same time, soft and flexible.
- DURAFLEX® suction cups manufactured in a specially developed material that features the elasticity of rubber and wear resistance of polyurethane.
- The material DURAFLEX® is mark free.

General

Curve radius	10 mm
Movement, vertical max.	14 mm
Application	Mark Free, Plastic injection molded parts, Dry sheet metal, Corrugated / cardboard
Material	Polyurethane (PU30), Polyurethane (PU60)
Suction cup model	BX-P
Suction cup shape	Multibellows
Volume	10 cm ³
Weight	8 g

Fitting

Fitting size	1/8"
Fitting style	Female
Fitting type	NPSF-thread
Fitting option	Filter disc

Dimension

Height	34.8 mm
Outer diameter	37 mm

Performance — lifting forces

		
20 -kPa	12 N	11 N
60 -kPa	20 N	19 N
90 -kPa	28 N	26 N

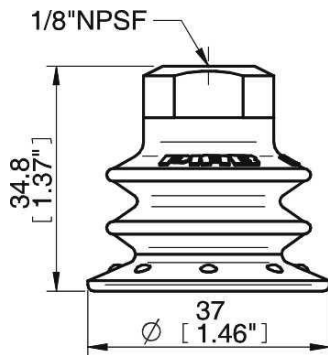
Material

	Polyurethane (PU30)	Polyurethane (PU60)
Colour	Yellow	Green transparent
Hardness	30 °Shore A	60 °Shore A
Temperature	10 – 50 °C	10 – 50 °C

Material resistance

	Polyurethane (PU30)	Polyurethane (PU60)
Alcohol	N/A	N/A
Concentrated acids	+	+
Ethanol	+	+
Hydrolysis	+	+
Methanol	-	-
Oil	+++	+++
Oxidation	-	-
Petrol	+	+
Wear resistance	+++	+++
Weather and ozone	+++	+++

Dimensional drawings



Values specified in the data sheet are tested at:

Room temperature	(20°C [68°F] ± 3°C [5.5°F])
Standard atmosphere	(101.3 [29.9 inHg] ± 1.0 kPa [0.3 inHg])
Relative humidity	0-100%
Compressed air quality	DIN ISO 8573-1 class 4

Spare parts

	Item no.
Fitting 1/8" NPSF female, 30-40	3250005
Suction cup BX35P Polyurethane 30/60, with filter	0106619
Suction cup filter BX35P, 10 pcs	0201001

Accessories

	Item no.
Fitting 1/4" NPT male, with dual flow control valve	3251008
Fitting 1/4" NPT male, with mesh filter	3250093
Fitting 1/8" NPSF female, 30-40, with dual flow control valve	3251006
Fitting 1/8" NPSF female, 30-40, with mesh filter	0101153
Fitting 3/8" NPT male, with dual flow control valve	3251010
Fitting 3/8" NPT male, with mesh filter	3250089
Fitting G1/4" male, 30-40, with mesh filter	3250091
Fitting G1/4" male, 30-40, with mesh filter and dual flow control valve	3251007
Fitting G1/8" male, 40, with mesh filter	0200714
Fitting G3/8" male, 30-40, with mesh and dual flow control valve	3251009
Fitting G3/8" male, 30-40, with mesh filter	3250086
Suction cup BX35P Polyurethane 60, with filter	0107376
Suction cup BX35P, Polyurethane 30/60	0106292
Suction cup BX35P, Polyurethane 60	0107477