



Item no: 0115291

### Suction cup OB20x60P Polyurethane 60, G1/8" male

The oval suction cups are suitable for handling of long and narrow objects and surfaces when maximum lifting force is desired. Oval suction cups are specially suitable for irregular surfaces and when level compensation is desired. This program of oval suction cups has characteristics that are specially suited... for handling of metal-sheet material.

- Suitable for level adjustment. Can handle objects with height differences and varying shapes, for example embossed or corrugated plates.
- Lifting movement to separate small and thin objects.
- DURAFLEX® are suction cups manufactured in a specially developed material that features the elasticity of rubber and wear resistance of polyurethane. The material does not leave any marks on the objects handled.
- Swivel option, prior to the locking operation, for easy positioning of the oval cup.

#### General

Application	Mark Free
Suction cup shape	Oval Bellows
Material	Polyurethane (PU60)
Suction cup model	OB
Weight	11 g
Volume	24 cm <sup>3</sup>
Suction cup model	OB20x60P
Movement, vertical max.	4.5 mm
Curve radius, min.	7 mm

#### Fitting



Fitting option	None
Fitting size	1/8"
Fitting style	Male
Fitting type	G-thread

Dimension

Height	23.6 mm
Outer diameter	62 mm
Width	23.5 mm

---

Performance - lifting forces

	OB20x60P		
20 -kPa		13 N	13 N
60 -kPa		34 N	37 N
90 -kPa		57 N	48 N

---

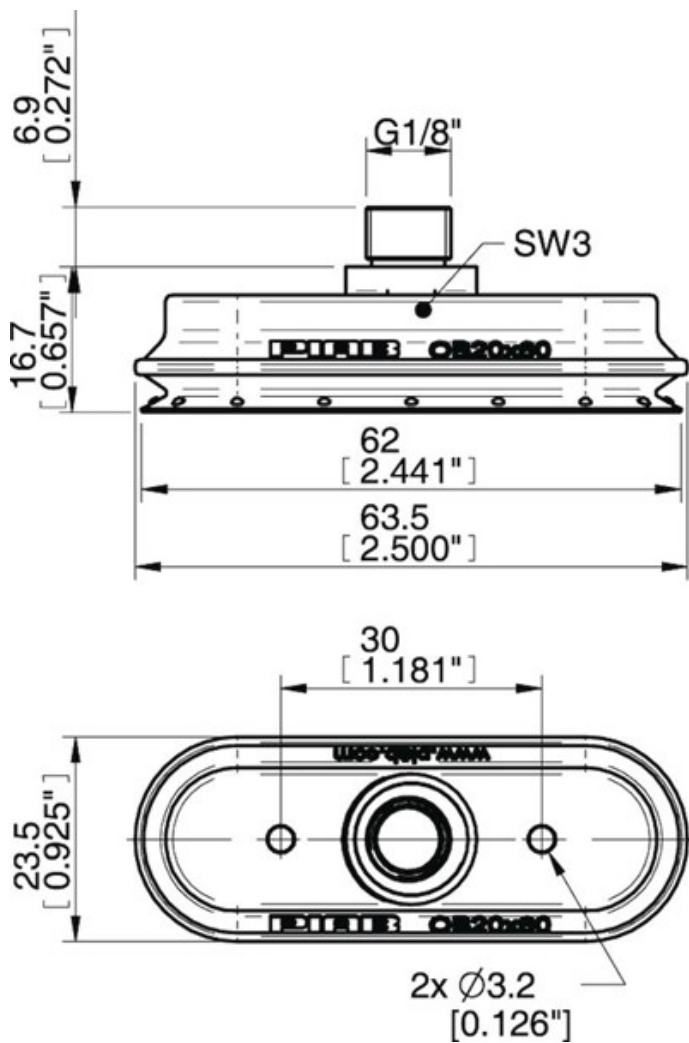
Material

Name	PU60
Colour	GreenTransparent
Temperature	10 - 50 °C
Hardness	60 °Shore A

---

	PU60
Alcohol	n/a
Concentrated acids	+
Ethanol	+
Hydrolysis	+
Methanol	-
Oil	+++
Oxidation	-
Petrol	+
Wear resistance	+++
Weather and ozone	+++

---



Values specified in the data sheet are tested at:

- Room temperature: (20°C [68°F] ± 3°C [5.5°F])
- Standard atmosphere: (101.3 [29.9 inHg] ± 1.0 kPa [0.3 inHg])
- Relative humidity: 0-100%
- Compressed air quality: DIN ISO 8573-1 class 4