



Item no: 0115304

## Suction cup OF25x70P Polyurethane 40, G3/8" male

This program of oval suction cups has characteristics that are specially suited for handling of metal-sheet material.

- Suitable for flat and rough surfaces.
- Fair stability and little inherent movement.
- Recommended when the lifting force is parallel to the surface of the object.
- Cleats prevent thin, sensitive objects from being deformed and give extra friction when the lifting force is parallel to the surface of the object.
- DURAFLEX® are suction cups manufactured in a specially developed material that features the elasticity of rubber and wear resistance of polyurethane. The material does not leave any marks on the objects handled.
- Swivel option, prior to the locking operation, for easy positioning of the oval cup.

### General

Application	CorrugatedCardboard, PlasticInjectionMoldedParts, DrySheetMetal
Suction cup shape	Oval Flat
Material	Polyurethane (PU40)
Suction cup model	OF
Weight	19 g
Volume	6 cm <sup>3</sup>
Suction cup model	OF25x70P PU40
Movement, vertical max.	1.9 mm
Curve radius, min.	50 mm

## Fitting

Fitting option	None
Fitting size	3/8"
Fitting style	Male
Fitting type	G-thread

---

## Dimension

Height	23 mm
Outer diameter	72.3 mm
Width	27.3 mm

---

## Performance - lifting forces

	OF25x70P PU40	↕	↔
20 -kPa		24 N	46 N
60 -kPa		66 N	90 N
90 -kPa		107 N	105 N

---

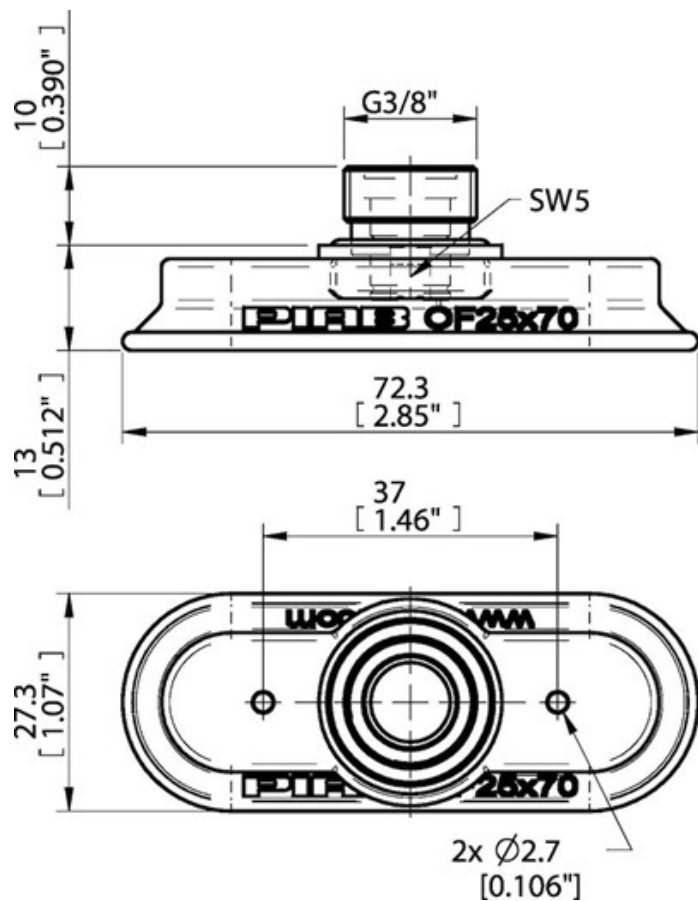
## Material

Name	PU40
Colour	RedTransparent
Temperature	10 - 50 °C
Hardness	40 °Shore A

---

	PU40
Alcohol	n/a
Concentrated acids	+
Ethanol	+
Hydrolysis	+
Methanol	-
Oil	+++
Oxidation	-
Petrol	+
Wear resistance	+++
Weather and ozone	+++

---



Values specified in the data sheet are tested at:

- Room temperature: (20°C [68°F] ± 3°C [5.5°F])
- Standard atmosphere: (101.3 [29.9 inHg] ± 1.0 kPa [0.3 inHg])
- Relative humidity: 0-100%
- Compressed air quality: DIN ISO 8573-1 class 4

Accessories

0115311 | Suction cup OF25x70P Polyurethane 60, G3/8" male