



Item no: 0115311

Suction cup OF25x70P Polyurethane 60, G3/8" male

This program of oval suction cups has characteristics that are specially suited for handling of metal-sheet material.

- Suitable for flat and rough surfaces.
- Fair stability and little inherent movement.
- Recommended when the lifting force is parallel to the surface of the object.
- Cleats prevent thin, sensitive objects from being deformed and give extra friction when the lifting force is parallel to the surface of the object.
- DURAFLEX® are suction cups manufactured in a specially developed material that features the elasticity of rubber and wear resistance of polyurethane. The material does not leave any marks on the objects handled.
- Swivel option, prior to the locking operation, for easy positioning of the oval cup.

General

Application	Mark Free
Suction cup shape	Oval Flat
Material	Polyurethane (PU60)
Suction cup model	OF
Weight	19 g
Volume	6 cm ³
Suction cup model	OF25x70P PU60
Movement, vertical max.	1.9 mm
Curve radius, min.	50 mm

Fitting

Fitting option	None
Fitting size	3/8"
Fitting style	Male
Fitting type	G-thread

Dimension

Height	23 mm
Outer diameter	72.3 mm
Width	27.3 mm

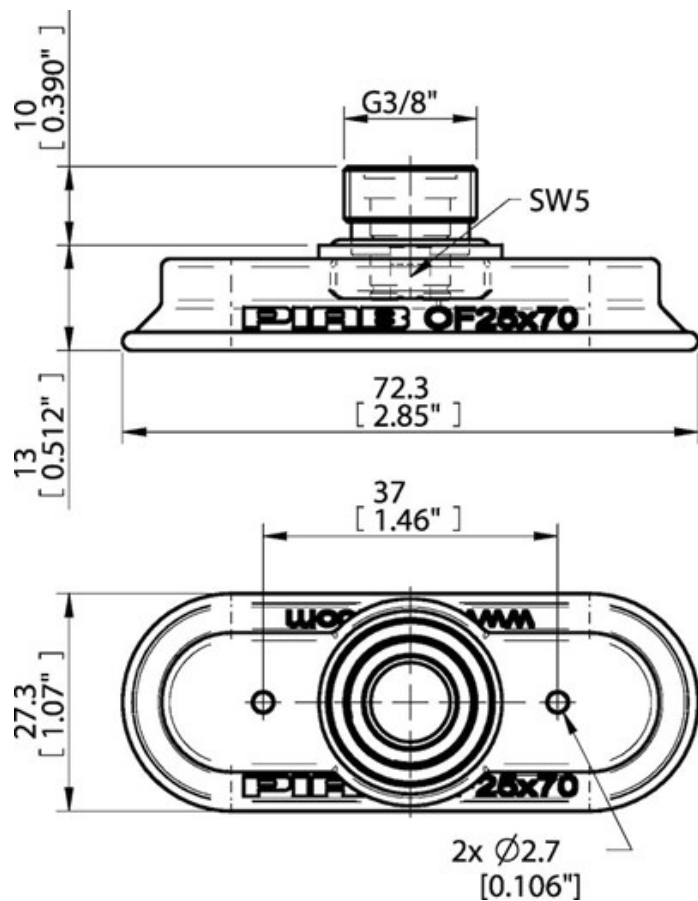
Performance - lifting forces

	OF25x70P PU60	↑	↗
20 -kPa		24 N	42 N
60 -kPa		77 N	127 N
90 -kPa		118 N	161 N

Material

Name	PU60
Colour	GreenTransparent
Temperature	10 - 50 °C
Hardness	60 °Shore A

	PU60
Alcohol	n/a
Concentrated acids	+
Ethanol	+
Hydrolysis	+
Methanol	-
Oil	+++
Oxidation	-
Petrol	+
Wear resistance	+++
Weather and ozone	+++



Values specified in the data sheet are tested at:

- Room temperature: (20°C [68°F] ± 3°C [5.5°F])
- Standard atmosphere: (101.3 [29.9 inHg] ± 1.0 kPa [0.3 inHg])
- Relative humidity: 0-100%
- Compressed air quality: DIN ISO 8573-1 class 4

Accessories

0115304 | Suction cup OF25x70P Polyurethane 40, G3/8" male