



Item no: 0115285

Suction cup OF15x45P Polyurethane 50, G1/8" male

This program of oval suction cups has characteristics that are specially suited for handling of metal-sheet material.

- Suitable for flat and rough surfaces.
- Fair stability and little inherent movement.
- Recommended when the lifting force is parallel to the surface of the object.
- Cleats prevent thin, sensitive objects from being deformed and give extra friction when the lifting force is parallel to the surface of the object.
- DURAFLEX® are suction cups manufactured in a specially developed material that features the elasticity of rubber and wear resistance of polyurethane. The material does not leave any marks on the objects handled.
- Swivel option, prior to the locking operation, for easy positioning of the oval cup.

General

Application	Mark Free
Suction cup shape	Oval Flat
Material	Polyurethane (PU50)
Suction cup model	OF
Weight	8.25 g
Volume	1 cm ³
Suction cup model	OF15x45P
Movement, vertical max.	1 mm
Curve radius, min.	30 mm



Fitting

Fitting option	None
Fitting size	1/8"
Fitting style	Male
Fitting type	G-thread

Dimension

Height	17.15 mm
Outer diameter	45 mm
Width	15 mm

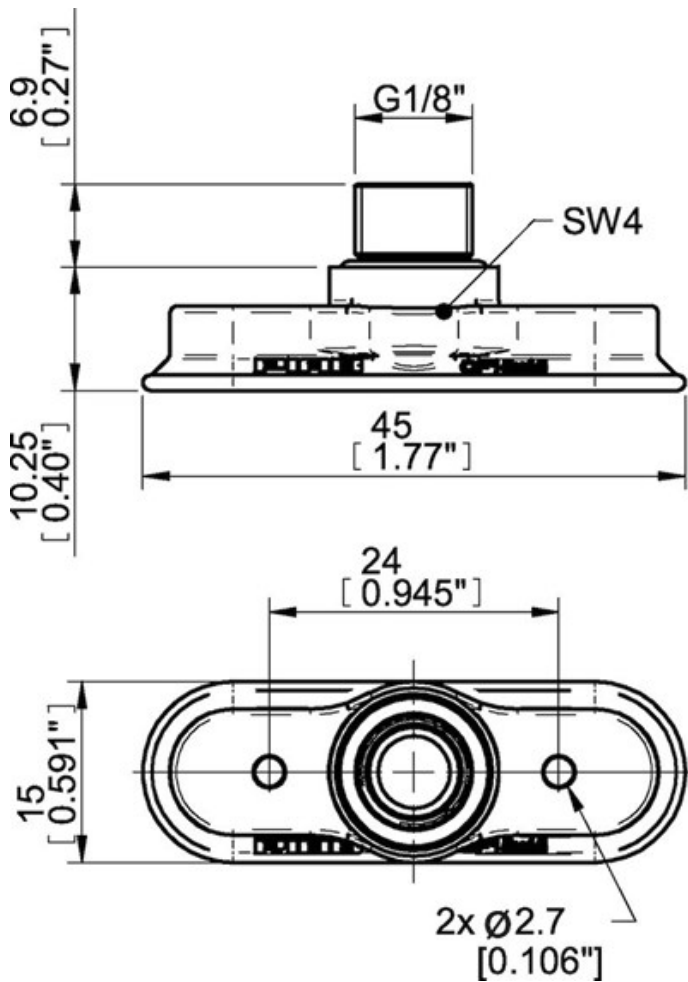
Performance - lifting forces

	OF15x45P		
20 -kPa		9 N	6 N
60 -kPa		27 N	20 N
90 -kPa		41 N	34 N

Material

Name	PU50
Colour	BlueTransparent
Temperature	10 - 50 °C
Hardness	50 °Shore A

	PU50
Alcohol	n/a
Concentrated acids	+
Ethanol	+
Hydrolysis	+
Methanol	-
Oil	+++
Oxidation	-
Petrol	+
Wear resistance	+++
Weather and ozone	+++



Values specified in the data sheet are tested at:

- Room temperature: (20°C [68°F] ± 3°C [5.5°F])
- Standard atmosphere: (101.3 [29.9 inHg] ± 1.0 kPa [0.3 inHg])
- Relative humidity: 0-100%
- Compressed air quality: DIN ISO 8573-1 class 4