



Item no: 0109860

Suction cup OB65x170P Polyurethane 30/60, thread insert G3/8" male, with mesh filter

The oval suction cups are suitable for handling of long and narrow objects and surfaces when maximum lifting force is desired. Oval suction cups are specially suitable for irregular surfaces and when level compensation is desired. This program of oval suction cups has characteristics that are specially suited... for handling of metal-sheet material.

- Suitable for level adjustment. Can handle objects with height differences and varying shapes, for example embossed or corrugated plates.
- Lifting movement to separate small and thin objects.
- In the two coloured suction cup, the bellows and the sealing lip are of different hardnesses, which makes the suction cup strong and stable and, at the same time, soft and flexible.
- DURAFLEX® are suction cups manufactured in a specially developed material that features the elasticity of rubber and wear resistance of polyurethane. The material does not leave any marks on the objects handled.

General

Application	Corrugated / cardboard
Suction cup shape	Oval Bellows
Material	PU30, PU60
Suction cup model	OB
Weight	241 g
Volume	175 cm ³
Suction cup model	OB65x170P PU30 PU60
Movement, vertical max.	16 mm
Curve radius, min.	38 mm



Fitting

Fitting option	Filter mesh
Fitting size	3/8"
Fitting style	Male
Fitting type	G-thread

Dimension

Height	51.5 mm
Outer diameter	177 mm
Width	76 mm

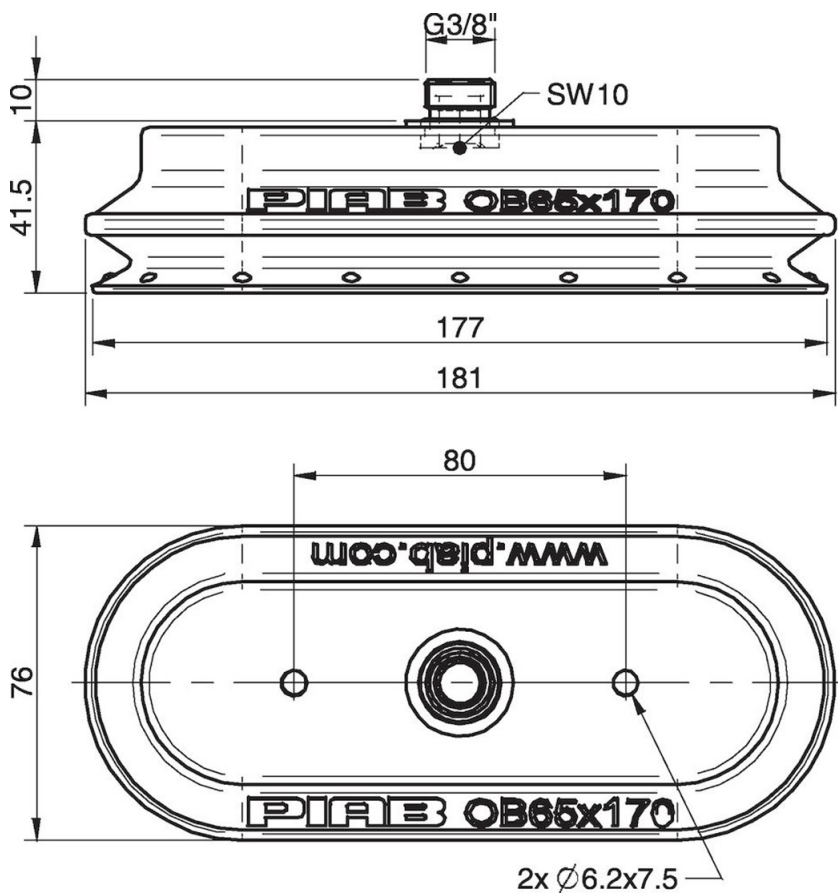
Performance - lifting forces

OB65x170P PU30 PU60		
20 -kPa	119 N	141 N
60 -kPa	335 N	379 N
90 -kPa	541 N	532 N

Material

Name	PU30	PU60
Colour	Yellow	GreenTransparent
Temperature	10 - 50 °C	10 - 50 °C
Hardness	30 °Shore A	60 °Shore A

	PU30	PU60
Alcohol	n/a	n/a
Concentrated acids	+	+
Ethanol	+	+
Hydrolysis	+	+
Methanol	-	-
Oil	+++	+++
Oxidation	-	-
Petrol	+	+
Wear resistance	+++	+++
Weather and ozone	+++	+++



Values specified in the data sheet are tested at:

- Room temperature: (20°C [68°F] ± 3°C [5.5°F])
- Standard atmosphere: (101.3 [29.9 inHg] ± 1.0 kPa [0.3 inHg])
- Relative humidity: 0-100%
- Compressed air quality: DIN ISO 8573-1 class 4

Accessories

0109916 | Suction cup OB65x170P Polyurethane 60

Spare parts

0107148 | Thread insert G3/8" male, with O-ring and mesh filter

0109917 | Suction cup OB65x170P Polyurethane 30/60