



Item no: 0109855

Suction cup OF70x175P Polyurethane 40, 3/8" NPSF female

This program of oval suction cups has characteristics that are specially suited for handling of metal-sheet material.

- Suitable for flat and rough surfaces.
- Fair stability and little inherent movement.
- Recommended when the lifting force is parallel to the surface of the object.
- Cleats prevent thin, sensitive objects from being deformed and give extra friction when the lifting force is parallel to the surface of the object.
- DURAFLEX® are suction cups manufactured in a specially developed material that features the elasticity of rubber and wear resistance of polyurethane. The material does not leave any marks on the objects handled.

General

Application	CorrugatedCardboard, PlasticInjectionMoldedParts, DrySheetMetal
Suction cup shape	Oval Flat
Material	Polyurethane (PU40)
Suction cup model	OF
Weight	193 g
Volume	80 cm ³
Suction cup model	OF70x175P PU40
Movement, vertical max.	5.7 mm
Curve radius, min.	130 mm

Fitting

Fitting option	None
Fitting size	1/8"
Fitting style	Female
Fitting type	NPSF-thread

Dimension

Height	38 mm
Outer diameter	180 mm
Width	75 mm

Performance - lifting forces

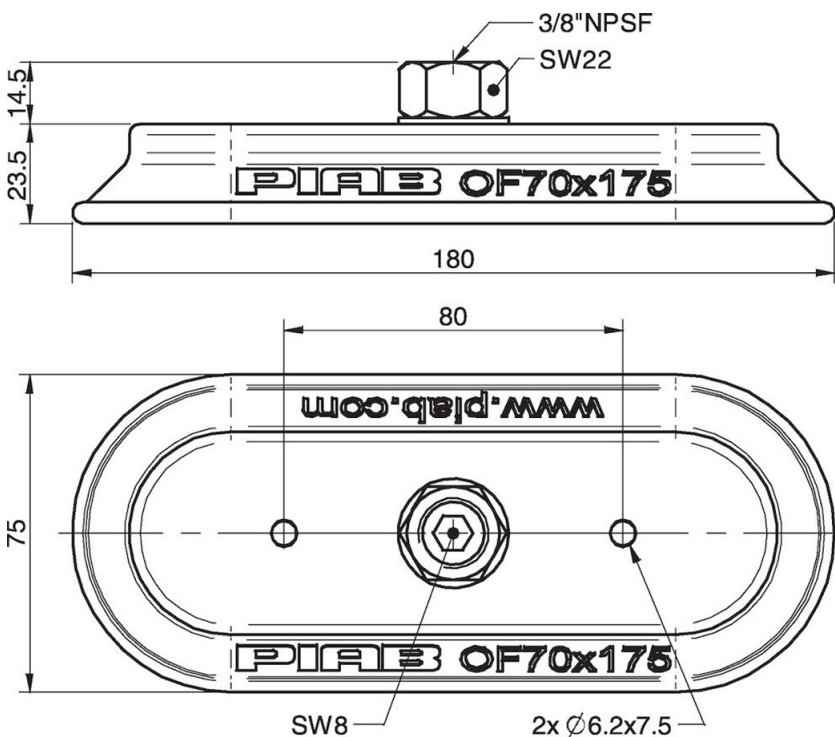
	↑	↗
OF70x175P PU40		
20 -kPa	190 N	170 N
60 -kPa	530 N	440 N
90 -kPa	785 N	630 N

Material

Name	PU40
Colour	RedTransparent
Temperature	10 - 50 °C
Hardness	40 °Shore A

	PU40
Alcohol	n/a
Concentrated acids	+
Ethanol	+
Hydrolysis	+
Methanol	-
Oil	+++
Oxidation	-
Petrol	+
Wear resistance	+++
Weather and ozone	+++

Dimensional drawings ☰



Values specified in the data sheet are tested at:

- Room temperature: (20° C [68° F] ± 3° C [5.5° F])
 - Standard atmosphere: (101.3 [29.9 inHg] ± 1.0 kPa [0.3 inHg])
 - Relative humidity: 0-100%
 - Compressed air quality: DIN ISO 8573-1 class 4
-

Accessories

0109910 | Suction cup OF70x175P Polyurethane 60

Spare parts

0109911 | Suction cup OF70x175P Polyurethane 40