



Item no: 0108671

## Suction cup OF70x175P Polyurethane 60, thread insert G3/8" male, with mesh filter

This program of oval suction cups has characteristics that are specially suited for handling of metal-sheet material.

- Suitable for flat and rough surfaces.
- Fair stability and little inherent movement.
- Recommended when the lifting force is parallel to the surface of the object.
- Cleats prevent thin, sensitive objects from being deformed and give extra friction when the lifting force is parallel to the surface of the object.
- DURAFLEX® are suction cups manufactured in a specially developed material that features the elasticity of rubber and wear resistance of polyurethane. The material does not leave any marks on the objects handled.

### General

Application	Mark Free
Suction cup shape	Oval Flat
Material	Polyurethane (PU60)
Suction cup model	OF
Weight	193 g
Volume	80 cm <sup>3</sup>
Suction cup model	OF70x175P PU60
Movement, vertical max.	5.7 mm
Curve radius, min.	130 mm

### Fitting

Fitting option	Filter mesh
Fitting size	3/8"
Fitting style	Male
Fitting type	G-thread

Dimension

Height	35 mm
Outer diameter	180 mm
Width	75 mm


Performance - lifting forces

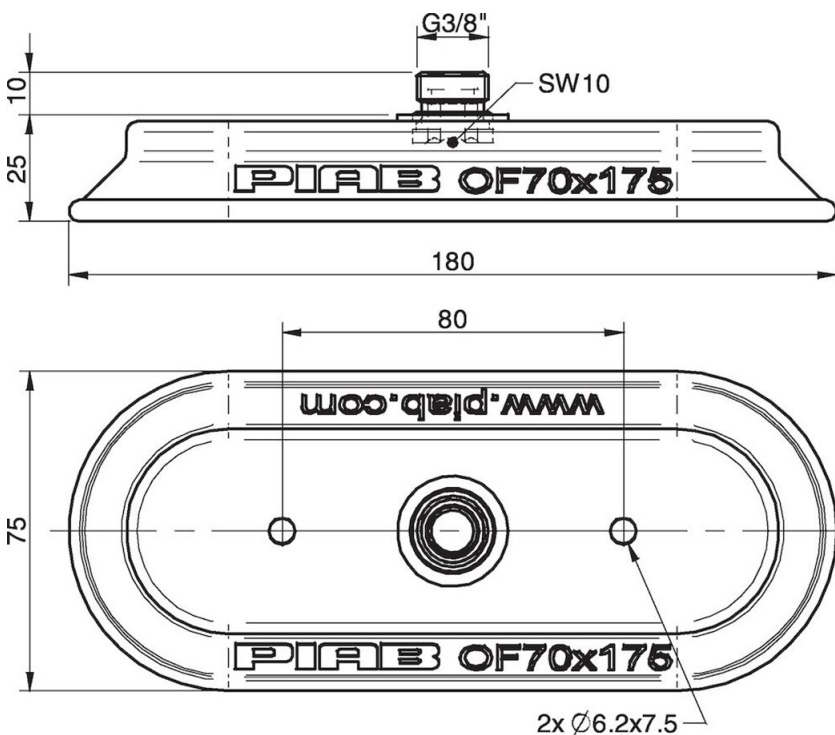
	↑	↔
OF70x175P PU60		
20 -kPa	180 N	200 N
60 -kPa	570 N	555 N
90 -kPa	860 N	750 N

Material

Name	PU60
Colour	GreenTransparent
Temperature	10 - 50 °C
Hardness	60 °Shore A

	PU60
Alcohol	n/a
Concentrated acids	+
Ethanol	+
Hydrolysis	+
Methanol	-
Oil	+++
Oxidation	-
Petrol	+
Wear resistance	+++
Weather and ozone	+++

Dimensional drawings 



Values specified in the data sheet are tested at:

- Room temperature: (20° C [68° F] ± 3° C [5.5° F])
  - Standard atmosphere: (101.3 [29.9 inHg] ± 1.0 kPa [0.3 inHg])
  - Relative humidity: 0-100%
  - Compressed air quality: DIN ISO 8573-1 class 4
- 

#### Accessories

0109911 | Suction cup OF70x175P Polyurethane 40

#### Spare parts

0109910 | Suction cup OF70x175P Polyurethane 60

0107148 | Thread insert G3/8" male, with O-ring and mesh filter